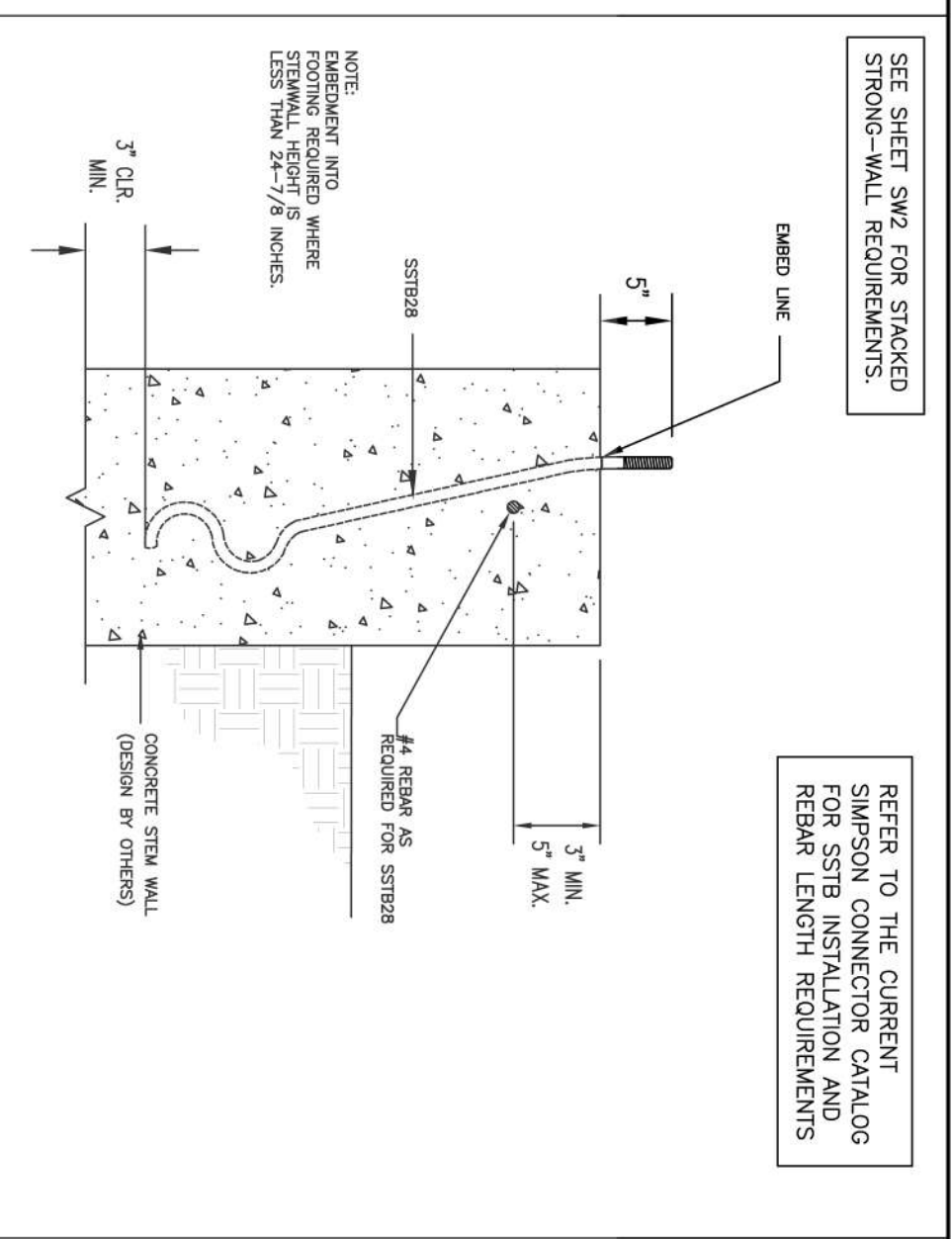
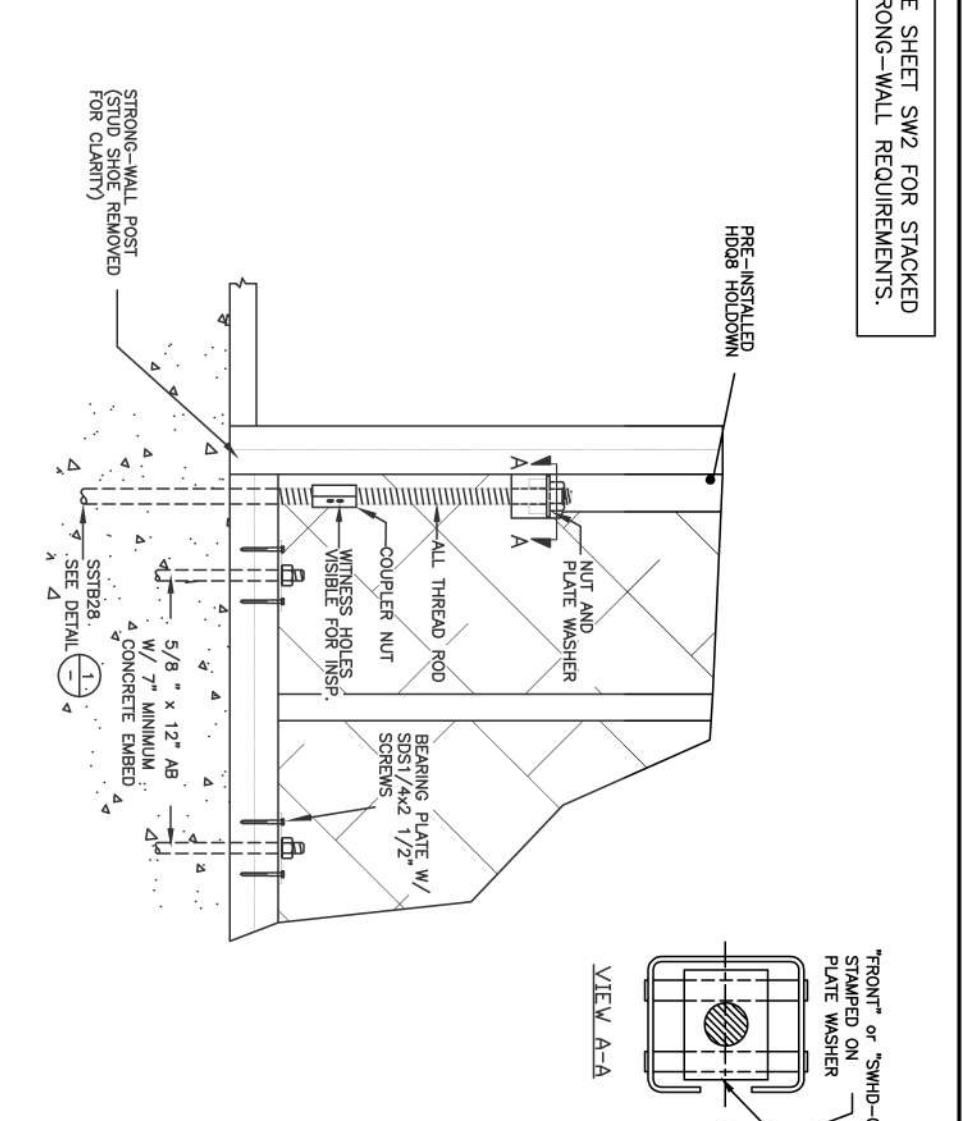


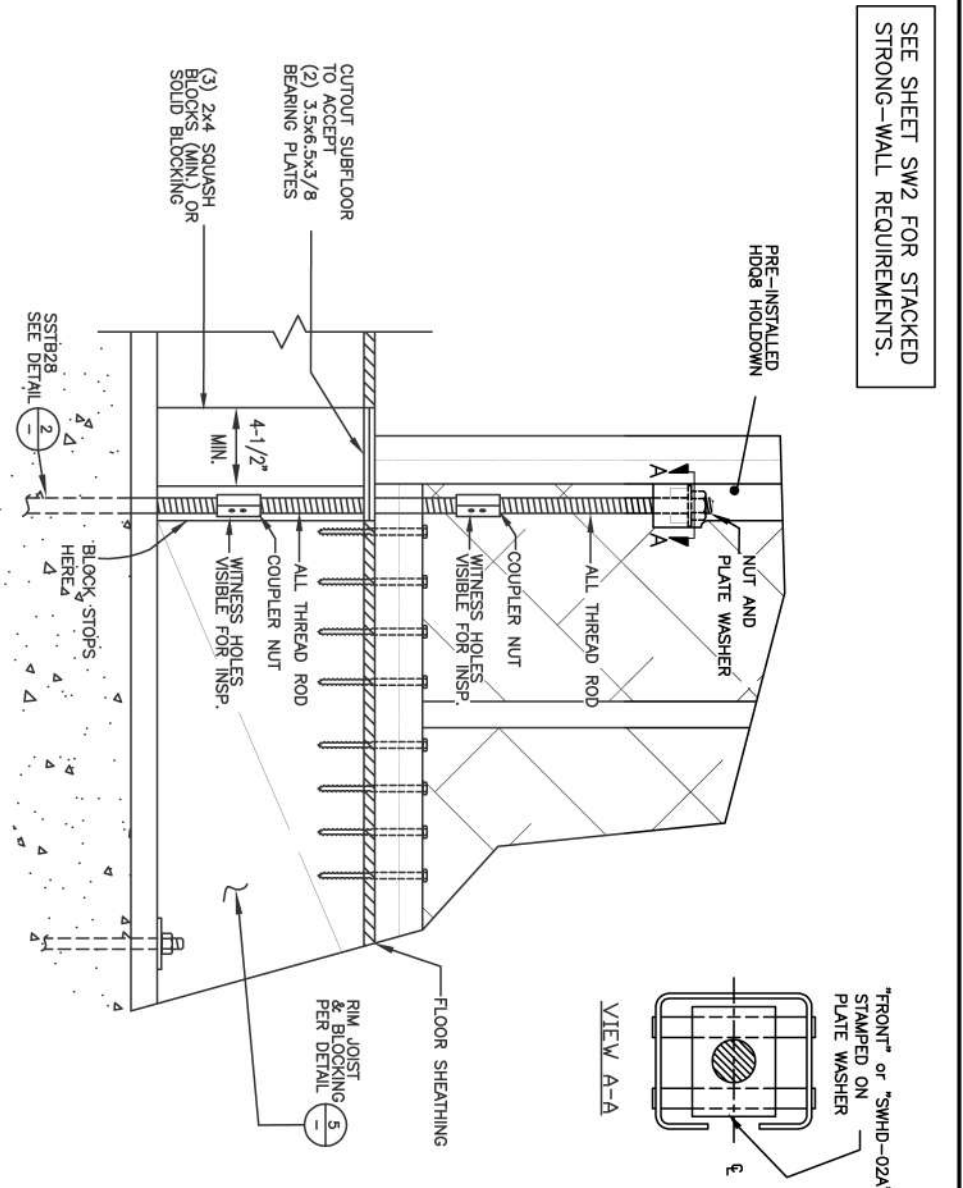
SSBT ANCHORAGE (SLAB ON GRADE) 1



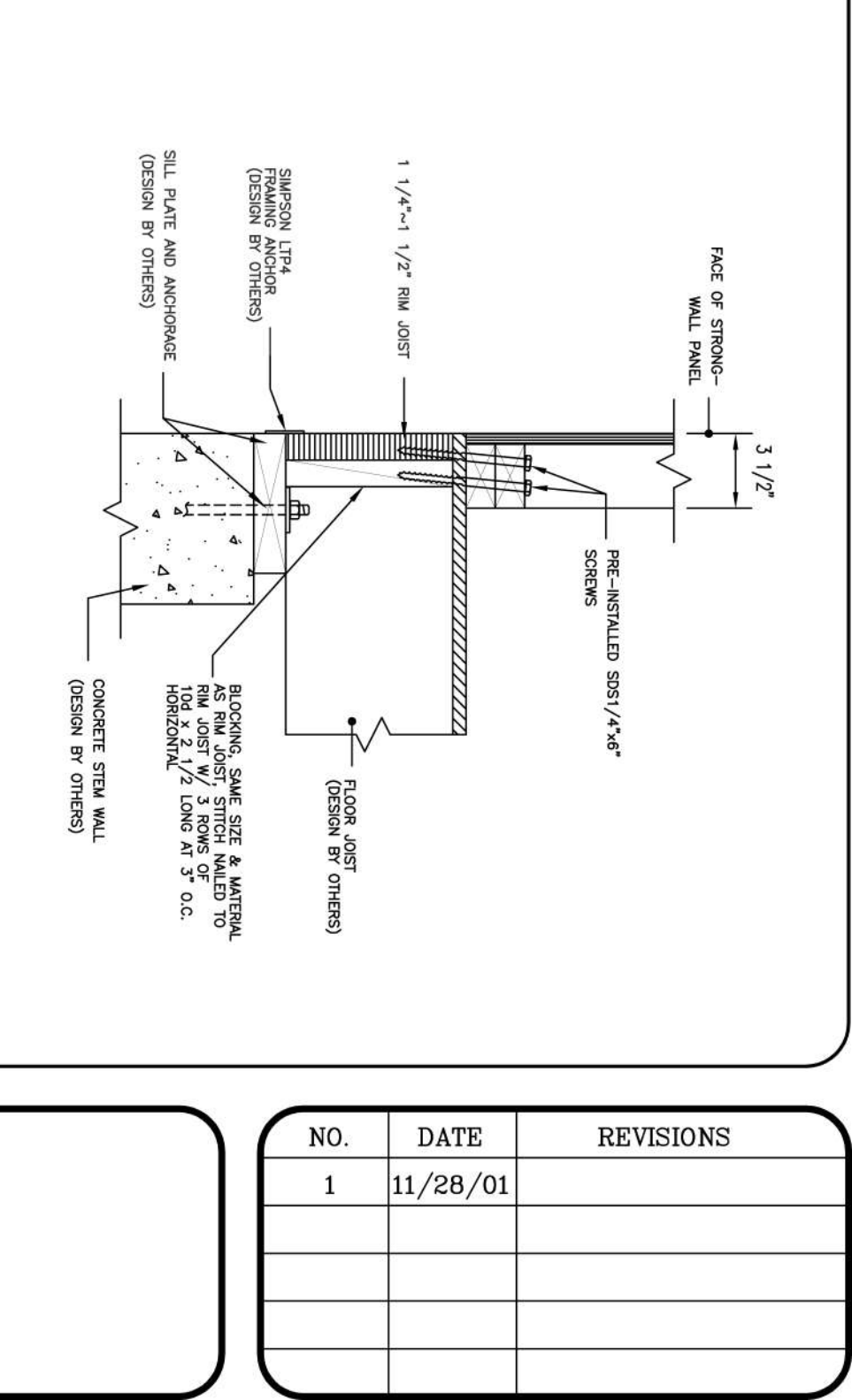
SSBT ANCHORAGE (CONC. STEM WALL) 2



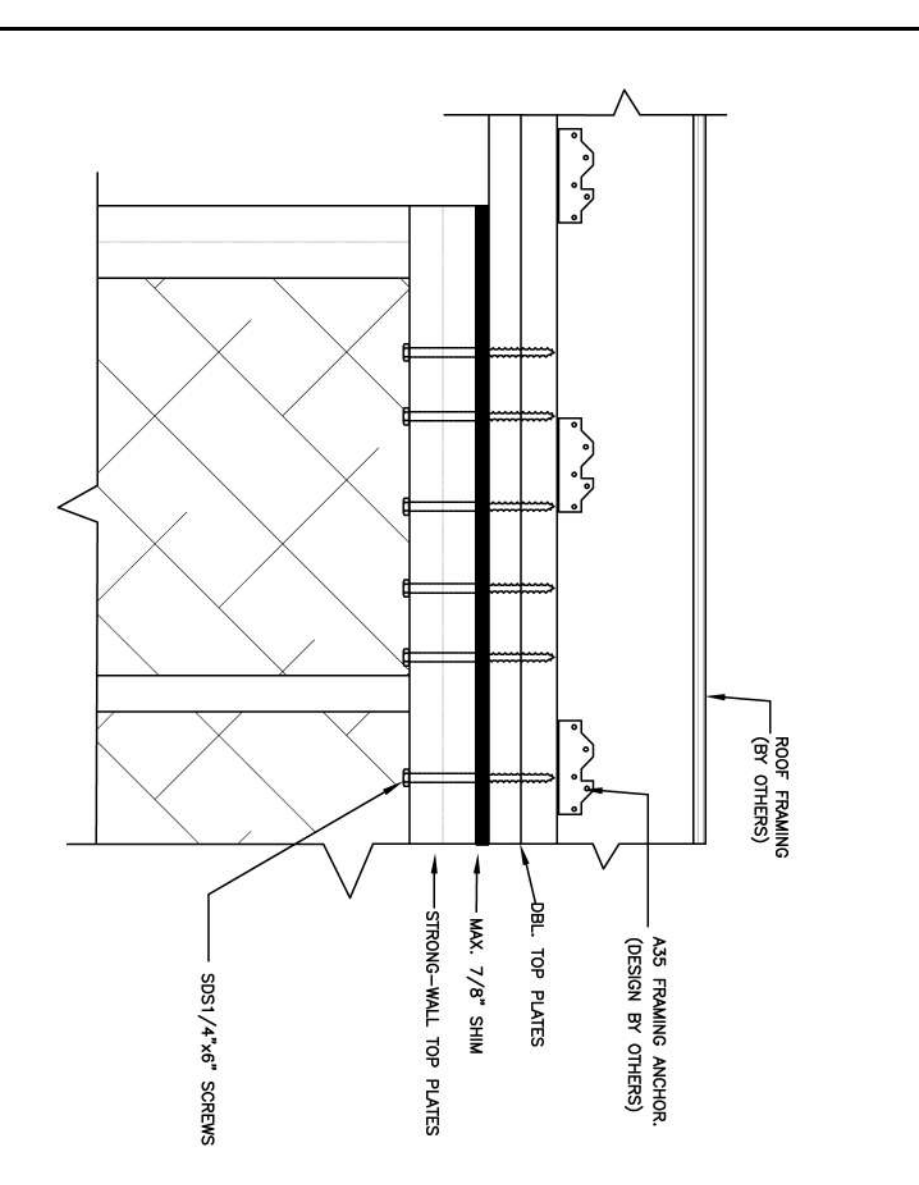
STANDARD WALL SILL 3



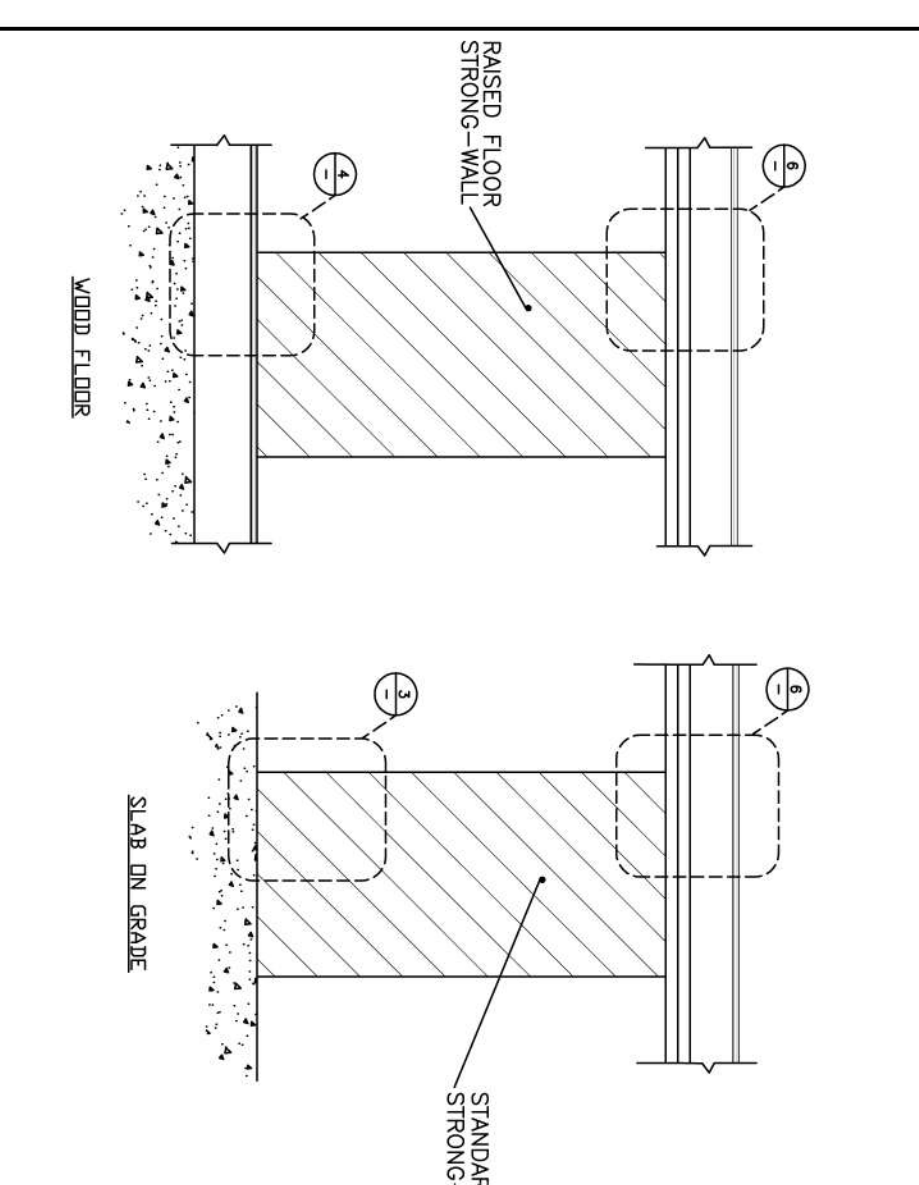
RAISED FLOOR WALL SILL 4



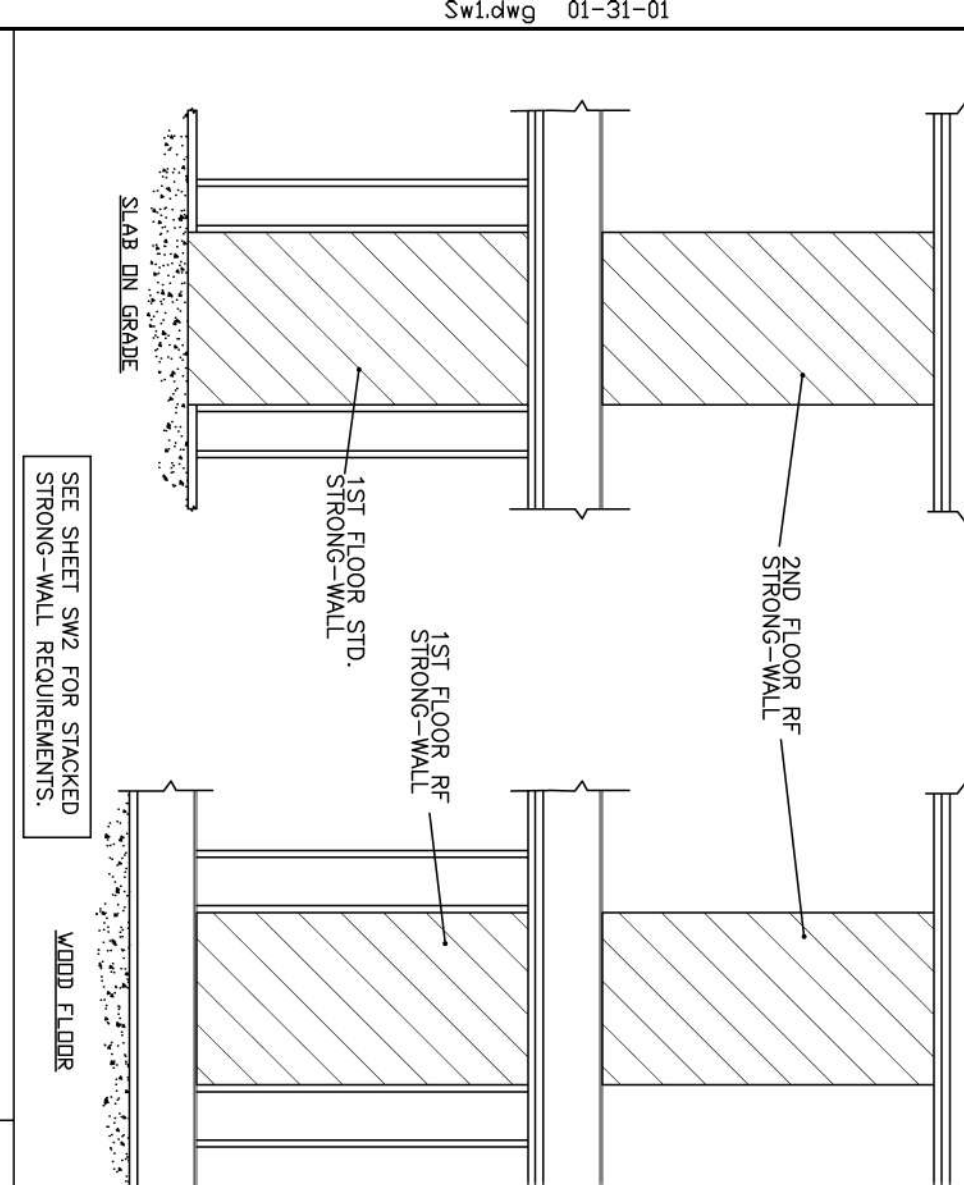
RAISED FLOOR WALL SECTION 5



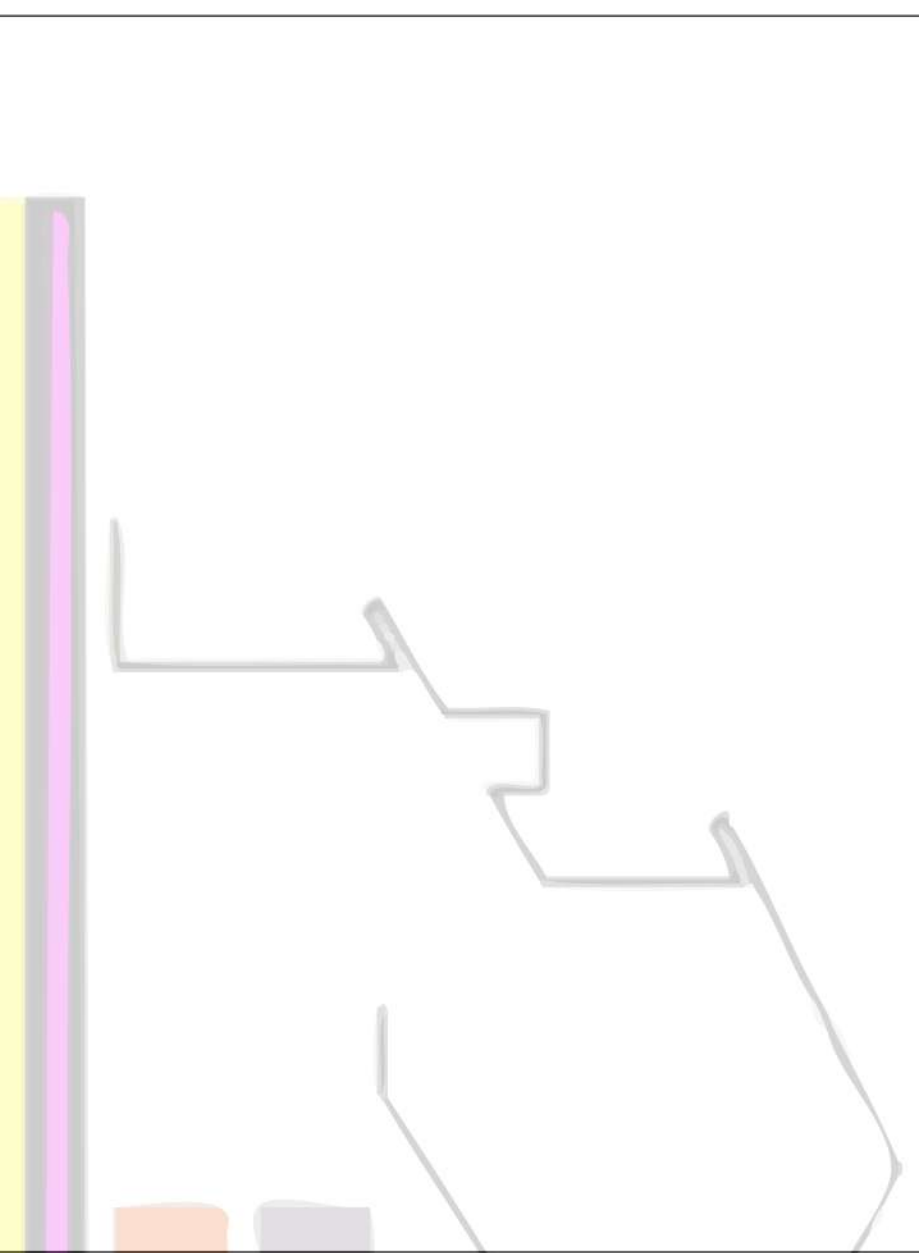
TOP PLATE CONNECTION 6



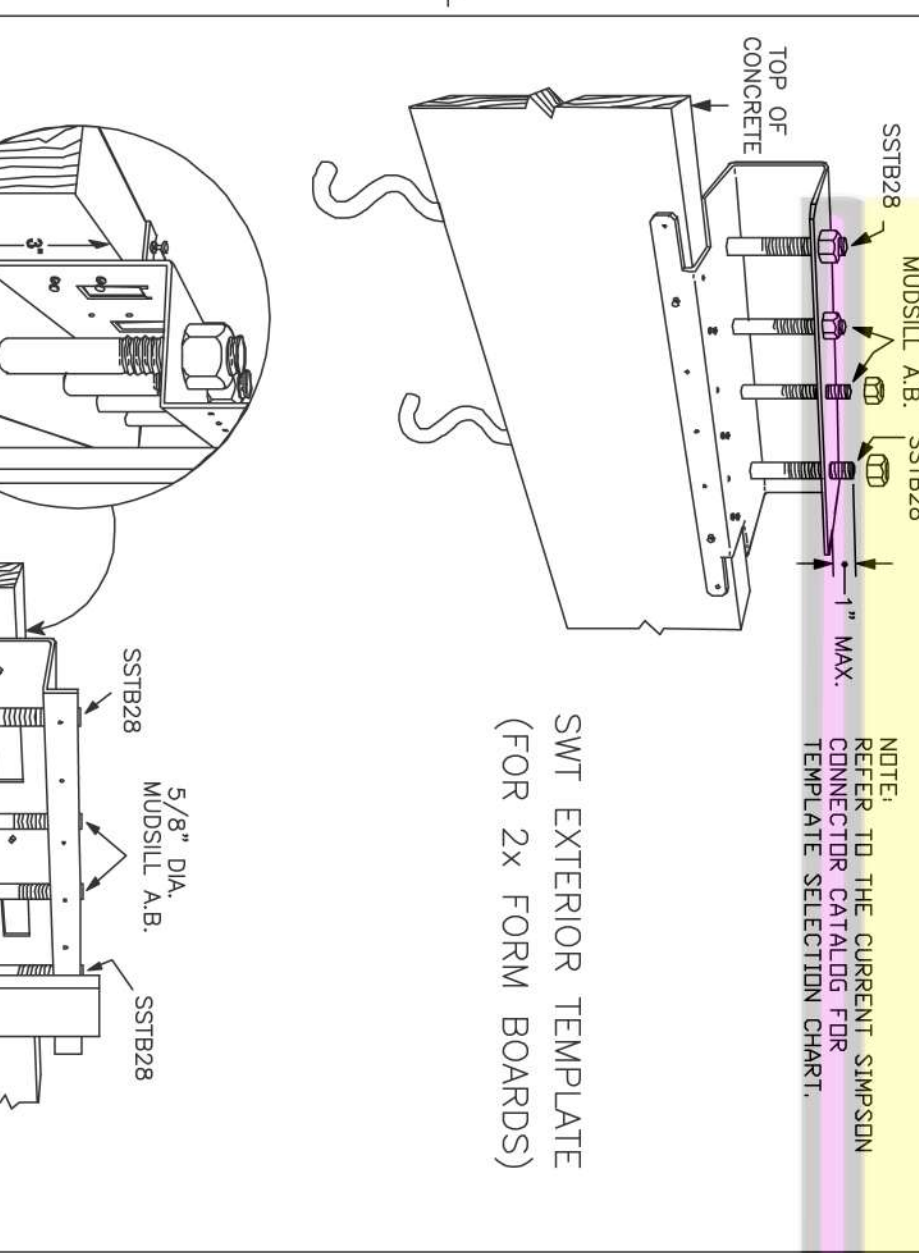
SINGLE STORY STRONG-WALL 11



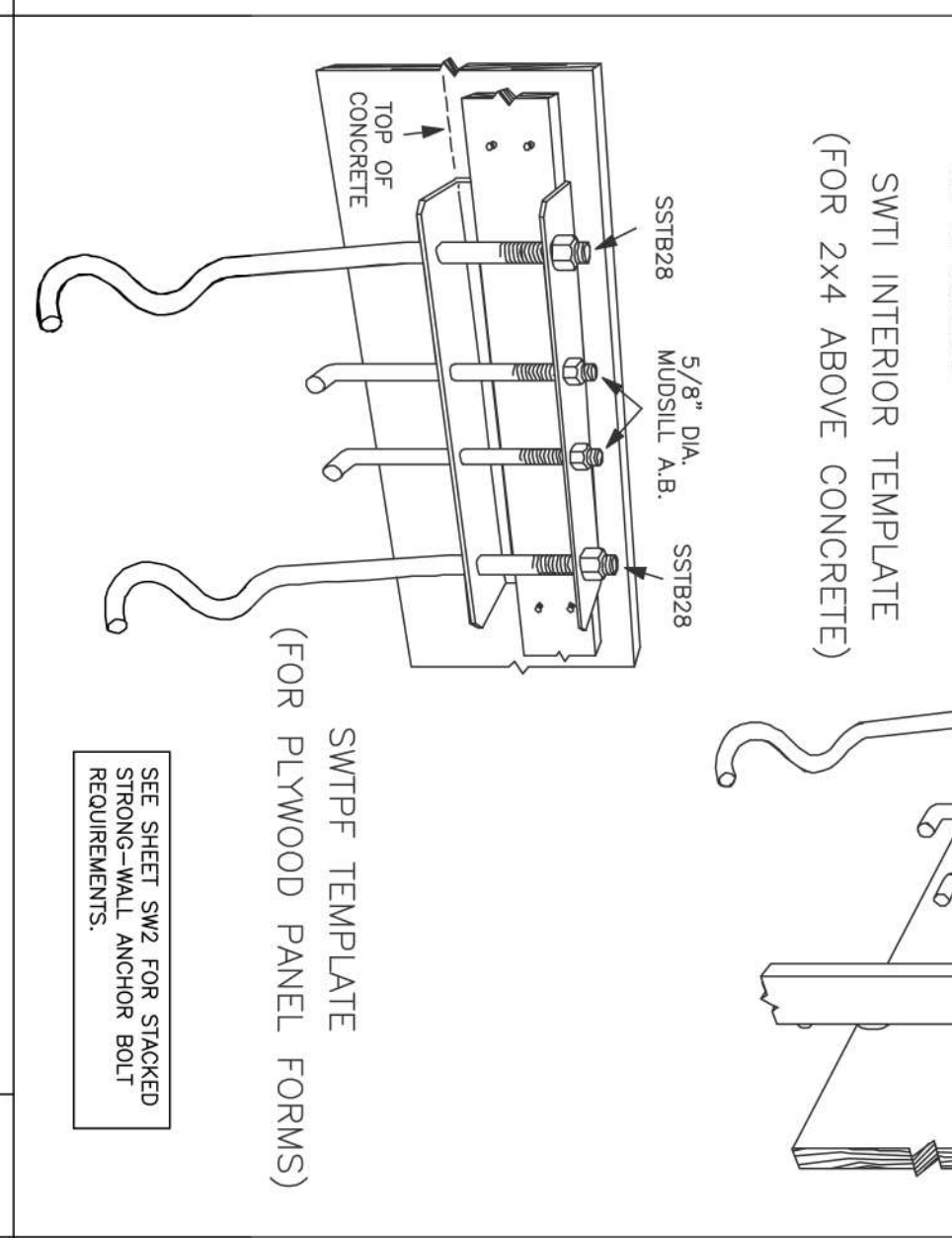
STACKED STRONG-WALL 12



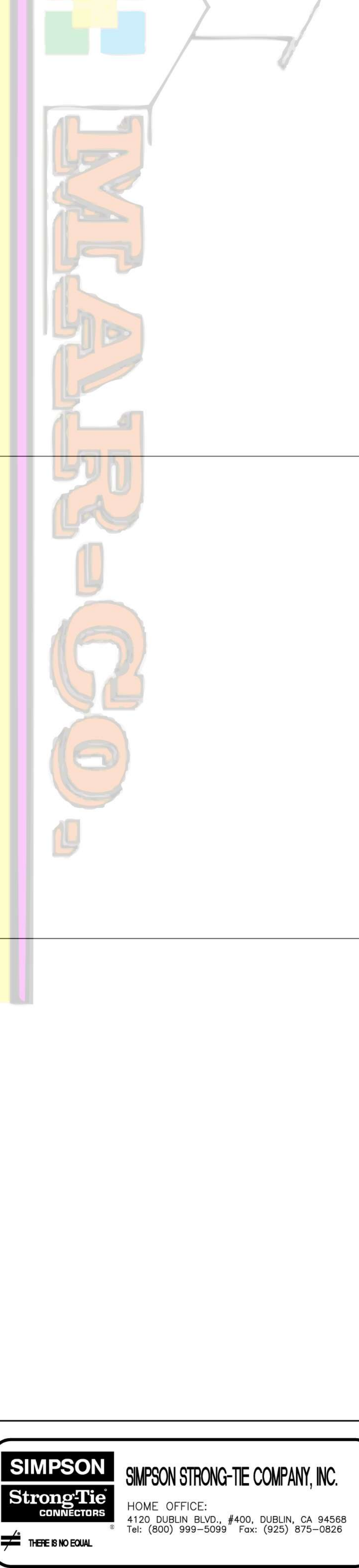
SWT EXTERIOR TEMPLATE (FOR 2x FORM BOARDS) 13



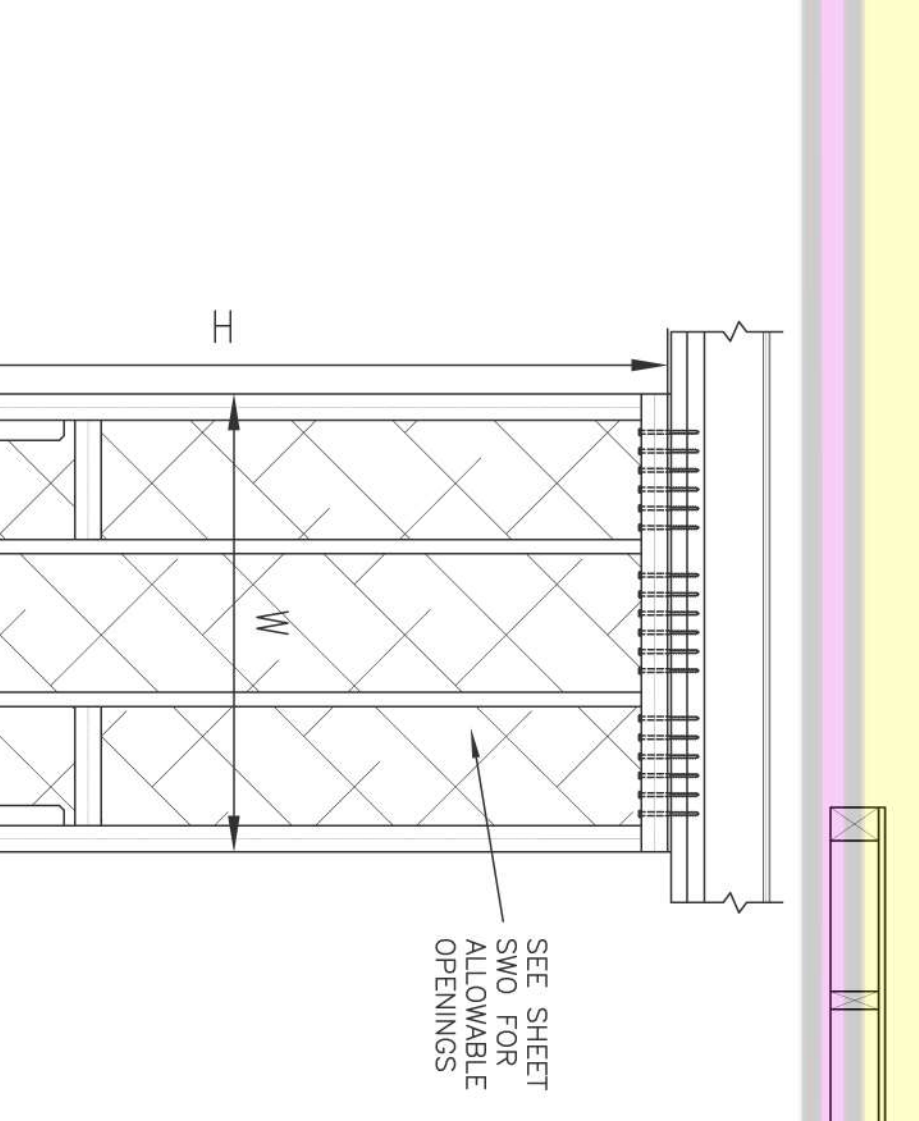
SWT INTERIOR TEMPLATE (FOR 2x4 ABOVE CONCRETE) 14



SWTPF TEMPLATE (FOR PLYWOOD PANEL FORMS) 15

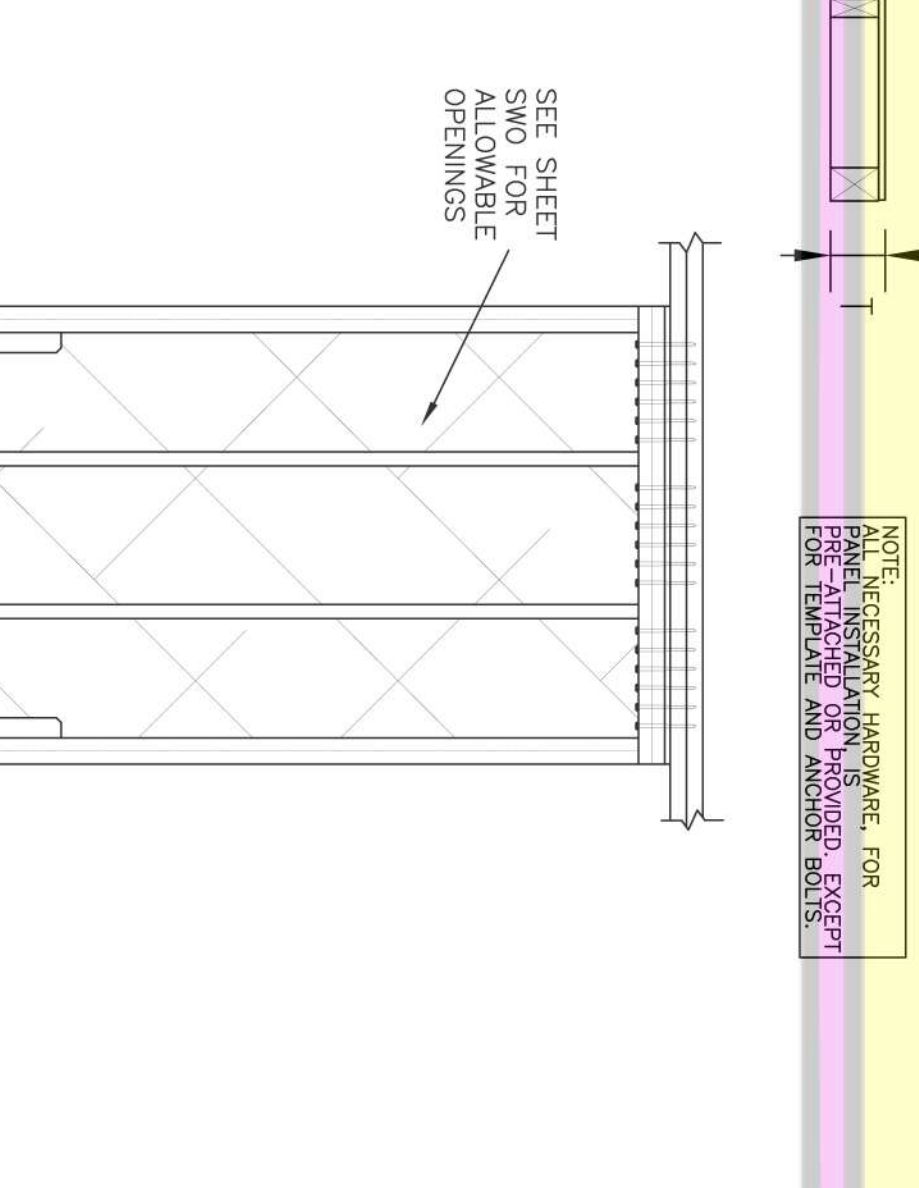


HOUSE PLANS AND DESIGNS 16



STANDARD STRONG-WALL MODELS 17

MODEL NO.	W (in)	H (in)	T (in)	NUMBER OF ANCHORS	HOLLOW BOLTS	ASSEMBLED WEIGHT (lbs)
SW18A	18	83 1/4"	3 1/2"	2-5/8"	2-SS1828	83
SW24A	24	83 1/4"	3 1/2"	2-5/8"	2-SS1828	91
SW32A	32	83 1/4"	3 1/2"	2-5/8"	2-SS1828	116
SW48A	48	83 1/4"	3 1/2"	2-5/8"	2-SS1828	146
SW18B	18	105 1/4"	3 1/2"	2-5/8"	2-SS1828	101
SW24B	24	105 1/4"	3 1/2"	2-5/8"	2-SS1828	116
SW32B	32	105 1/4"	3 1/2"	2-5/8"	2-SS1828	128
SW48B	48	105 1/4"	3 1/2"	2-5/8"	2-SS1828	166
SW24C	24	117 1/4"	3 1/2"	2-5/8"	2-SS1828	134
SW32C	32	117 1/4"	3 1/2"	2-5/8"	2-SS1828	171
SW48C	48	117 1/4"	3 1/2"	2-5/8"	2-SS1828	201



RAISED FLOOR STRONG-WALL MODELS 18

MODEL NO.	W (in)	H (in)	T (in)	NUMBER OF ANCHORS	HOLLOW BOLTS	MAX. WALL WEIGHT (lbs)
SW18A-RF	18	83 1/4"	3 1/2"	13-SOS 1/4x6	2-SS1828	83
SW24A-RF	24	83 1/4"	3 1/2"	13-SOS 1/4x6	2-SS1828	91
SW32A-RF	32	83 1/4"	3 1/2"	20-SOS 1/4x6	2-SS1828	116
SW48A-RF	48	83 1/4"	3 1/2"	28-SOS 1/4x6	2-SS1828	146
SW18B-RF	18	105 1/4"	3 1/2"	13-SOS 1/4x6	2-SS1828	101
SW24B-RF	24	105 1/4"	3 1/2"	13-SOS 1/4x6	2-SS1828	116
SW32B-RF	32	105 1/4"	3 1/2"	20-SOS 1/4x6	2-SS1828	128
SW48B-RF	48	105 1/4"	3 1/2"	28-SOS 1/4x6	2-SS1828	166
SW24C-RF	24	117 1/4"	3 1/2"	13-SOS 1/4x6	2-SS1828	134
SW32C-RF	32	117 1/4"	3 1/2"	20-SOS 1/4x6	2-SS1828	171
SW48C-RF	48	117 1/4"	3 1/2"	28-SOS 1/4x6	2-SS1828	201

NOTES

1. STRONG-WALL SHEARWALL IS MANUFACTURED AND TRADEMARKED BY SIMPSON STRONG-TIE COMPANY, INC., 400, DUBLIN, CA 94568 TEL: (925) 999-5099, FAX: (925) 675-0828 SIMPSON STRONG-TIE COMPANY, INC. IS AN ISO 9001 REGISTERED COMPANY.
2. INSTALLATION OF PRODUCT SHALL BE DONE IN STRICT CONFORMANCE TO THESE DRAWINGS AND THE STRONG-WALL™ PRODUCT AND ASSOCIATED SYSTEMS OR CHANGES IN THE INSTALLATION METHODS SHOWN ON THESE DRAWINGS AND THE ARCHITECT, CIVIL, OR STRUCTURAL ENGINEER, THE PERFORMANCE PROCEDURES IS THE SOLE RESPONSIBILITY OF THE DESIGNER. REFER TO I.C.B.O. PFC-5485 FOR FURTHER INFORMATION.
3. THE CONTRACTOR SHALL VERIFY ALL DIMENSIONS, CONDITIONS, ELEVATIONS, ETC. PRIOR TO INSTALLATION OF ANY COMPONENTS FOR THE STRONG-WALL™ PRODUCT. ALL DIMENSIONS SHALL BE BROUGHT TO THE ATTENTION OF THE PROJECT ARCHITECT, PROJECT ENGINEER OR BUILDING DESIGNER FOR CLARIFICATION PRIOR TO CONSTRUCTION.
4. THE CONTRACTOR SHALL VERIFY THE POSITION OF THE STRONG-WALL IN RELATION TO THE REST OF THE BUILDING SYSTEM AS SHOWN ON THE PROJECT DRAWINGS.
5. USE OF THIS PRODUCT IS SUBJECT TO THE APPROVAL OF THE LOCAL BUILDING OFFICIAL.
6. THE BUILDING STRUCTURE SHALL BE DESIGNED IN ACCORDANCE WITH THE LOCAL, STATE OR FEDERAL REQUIREMENTS THAT MAY APPLY. VERIFY DESIGN REQUIREMENTS WITH THE LOCAL BUILDING DEPARTMENT.
7. THIS PRODUCT IS PART OF THE OVERALL LATERAL FORCE RESISTING SYSTEM OF THE STRUCTURE. DESIGN OF THE BUILDING'S LATERAL FORCE RESISTING SYSTEM SHALL BE THE RESPONSIBILITY OF THE PROJECT ARCHITECT/ENGINEER/DESIGNER.
8. SIMPSON STRONG-TIE COMPANY, INC. RESERVES THE RIGHT TO CHANGE SPECIFICATIONS, DESIGNS AND MODELS WITHOUT NOTICE OR LIABILITY FOR SUCH CHANGES.
9. ALL HARDWARE CALLED OUT IS SIMPSON STRONG-TIE.

NO.	DATE	REVISIONS
1	11/28/01	

SIMPSON Strong-Tie CONNECTORS
SIMPSON STRONG-TIE COMPANY, INC.
 HOME OFFICE:
 4120 DUBLIN BLVD., #400, DUBLIN, CA 94568
 Tel: (800) 999-5099 Fax: (925) 875-0828

SIMPSON Strong-Tie CONNECTORS
STRONG-WALL™
SINGLE STORY WALLS

SIMPSON Strong-Tie CONNECTORS
SW1
 OF 6 SHEETS
 NAME: S.H.
 DATE: 01/31/01
 SCALE: NO SCALE
 CHECKED: R.A., J.G.
 SHEET: 6