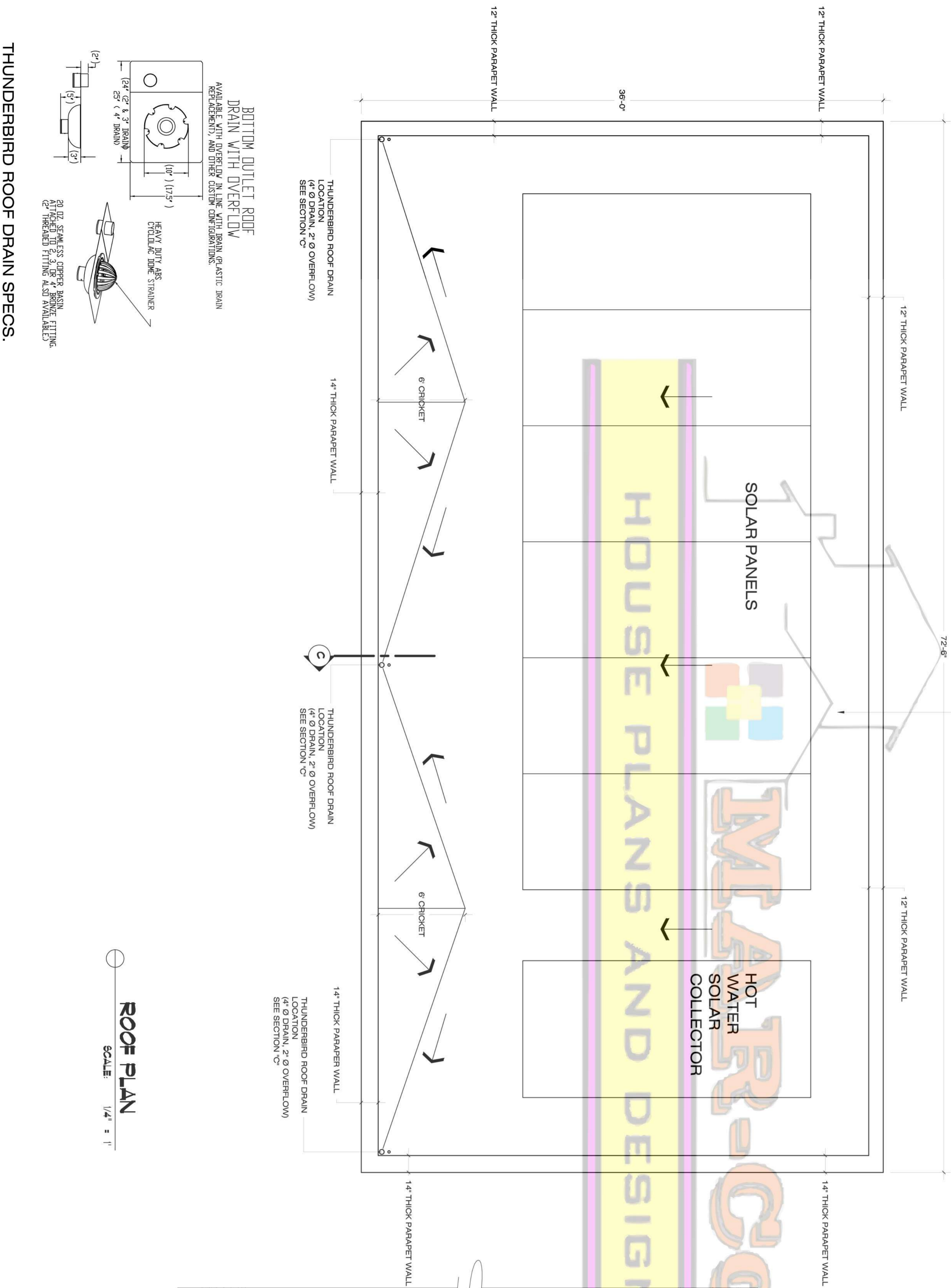


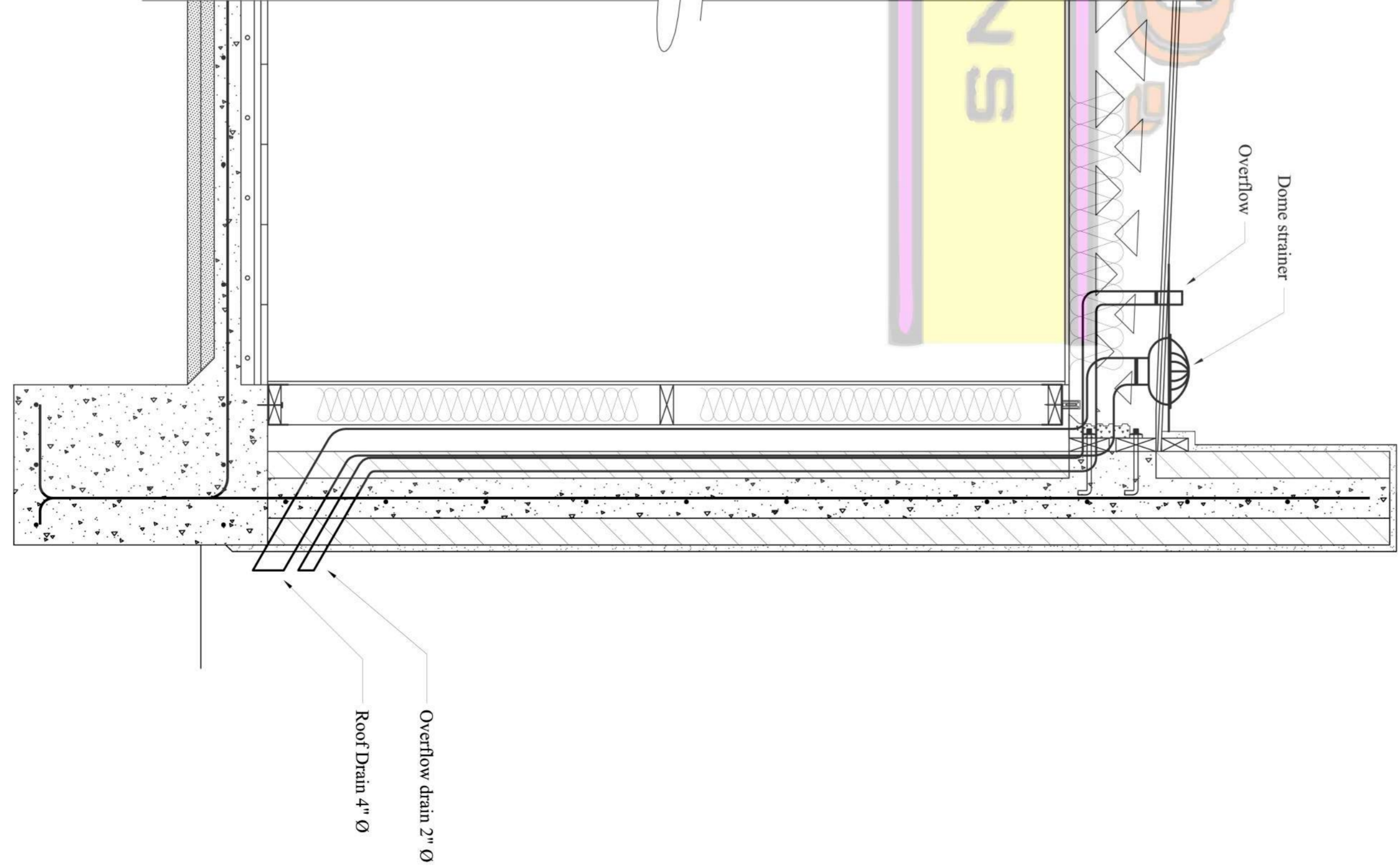
PLAN NOTES:

GENERAL NOTES:

1. MODIFIED BITUMEN MEMBRANE ROOFING (CLASS "A" FIRE RESISTANT (UL LISTED)) IS USED IN THIS PROJECT.
2. BIRDSTOPS SHALL BE INSTALLED IN ROOF CORNERS WHERE THE PROFILE ALLOWS A SPACE BETWEEN THE ROOF COVERING AND ROOF DECKING. THE SPACE AT THE EAVE SHALL BE FIRE STOPPED TO PRECLUDE ENTRY OF FLAMES OR EMBERS.
3. ATTIC VENTILATION SHALL NOT BE PERMITTED IN SLOTTED RAFTERS OR EAVE OVERHANGS. COMBUSTIBLE EAVE OVERHANGS MUST COMPLY WITH ENHANCED FIRE RESISTIVE REQUIREMENTS.
4. GUTTERS AND DRAIN SPOUTS SHALL BE CONSTRUCTED OF NON-COMBUSTIBLE MATERIAL AND DESIGNED TO REDUCE ACCUMULATION OF LEAVES, LITTER AND DEBRIS.

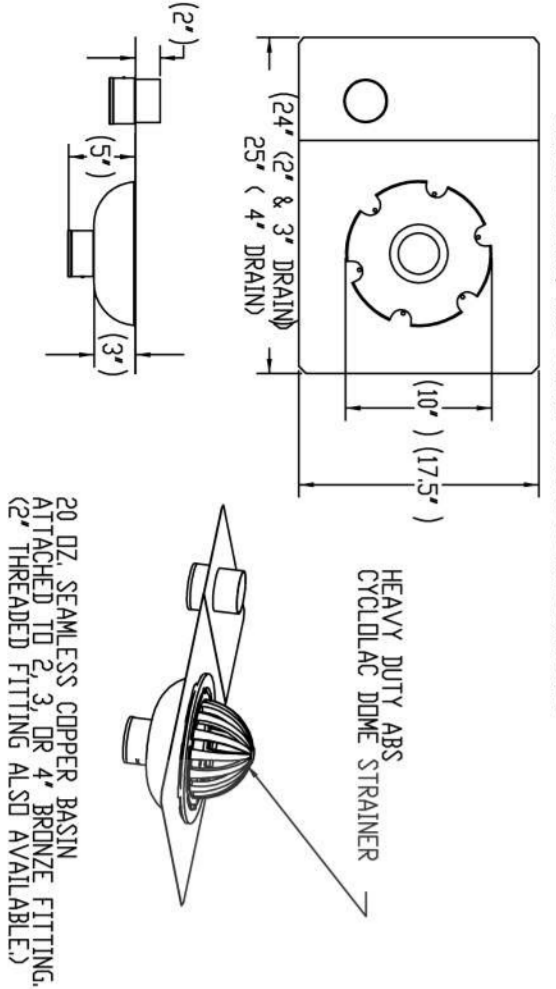


ROOF PLAN
SCALE: 1/4" = 1'



SECTION "C-C"
SCALE: NTS

THUNDERBIRD ROOF DRAIN SPECS.



BOTTOM OUTLET ROOF DRAIN WITH OVERFLOW
AVAILABLE WITH OVERFLOW IN LINE WITH BRAIN, GLASTIC BRAIN REPLACEMENT, AND OTHER CUSTOM CONFIGURATIONS.

HEAVY DUTY ABS OVAL DOME STRAINER

20 OZ. SEAMLESS COPPER BASIN ATTACHED TO 2, 3, OR 4 BRONZE FITTING 2" HEMMED FITTING ALSO AVAILABLE

REVISIONS:

NO.	DATE	DESCRIPTION
1	DECEMBER / 2006	AS SPECIFIED

SCALE: AS SPECIFIED
PLANS DRAWN & PREPARED BY:
MARCO A. LAUREANO

JOB: NEW RESIDENCE
SHEET: **A-5**
OF SHEET: 12

PROJECT NAME:

ALAFI RESIDENCE

XXX SUNRISE CIR.

VISTA, CA. 92084

OWNER:

MR. ALAFI

XXX SUNRISE CIR.
VISTA, CA. 92084

HOME: 000-000-0000
CELL: 000-000-0000

DISEÑO DIBUJO Y CONSTRUCCION
Dibujo de planos arquitectonicos
Permisos para construccion
Ampliacion de cuartos y patios

Marco A. Laureano
LICENSE: 16964
E-mail: laura@marke@yahoo.com

760.805.2358
760.941.2678

MARCO'S HOUSE PLANS & DESIGN
Architectural CAD drafting
Building permits
Room and patio additions

Marco A. Laureano
LICENSE: 16964
E-mail: laura@marke@yahoo.com

760.805.2358
760.941.2678