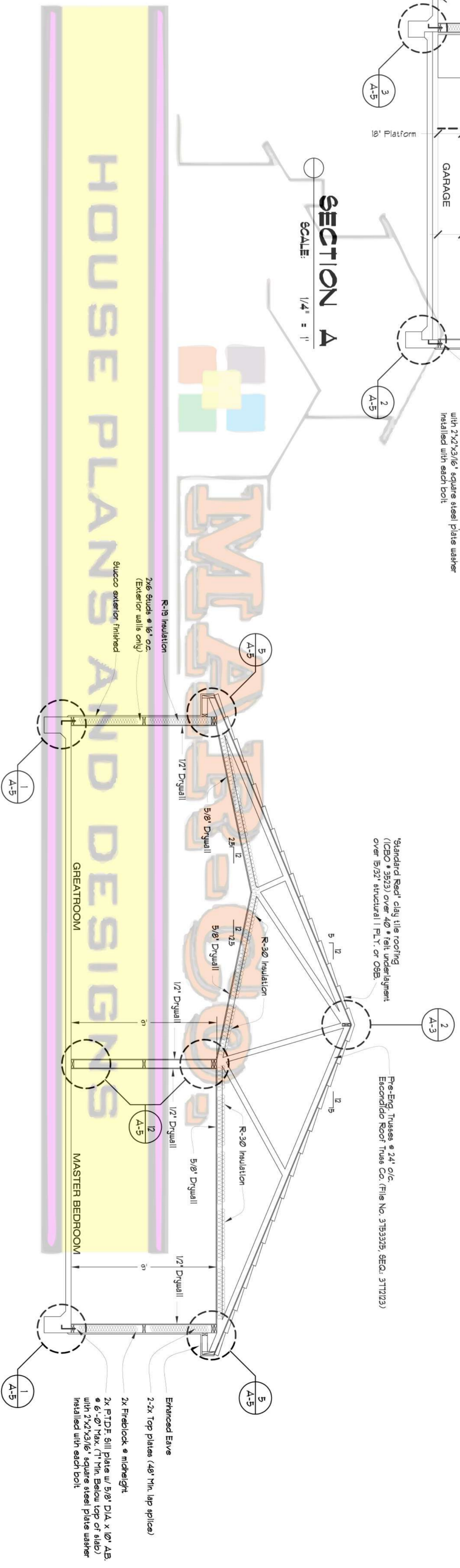
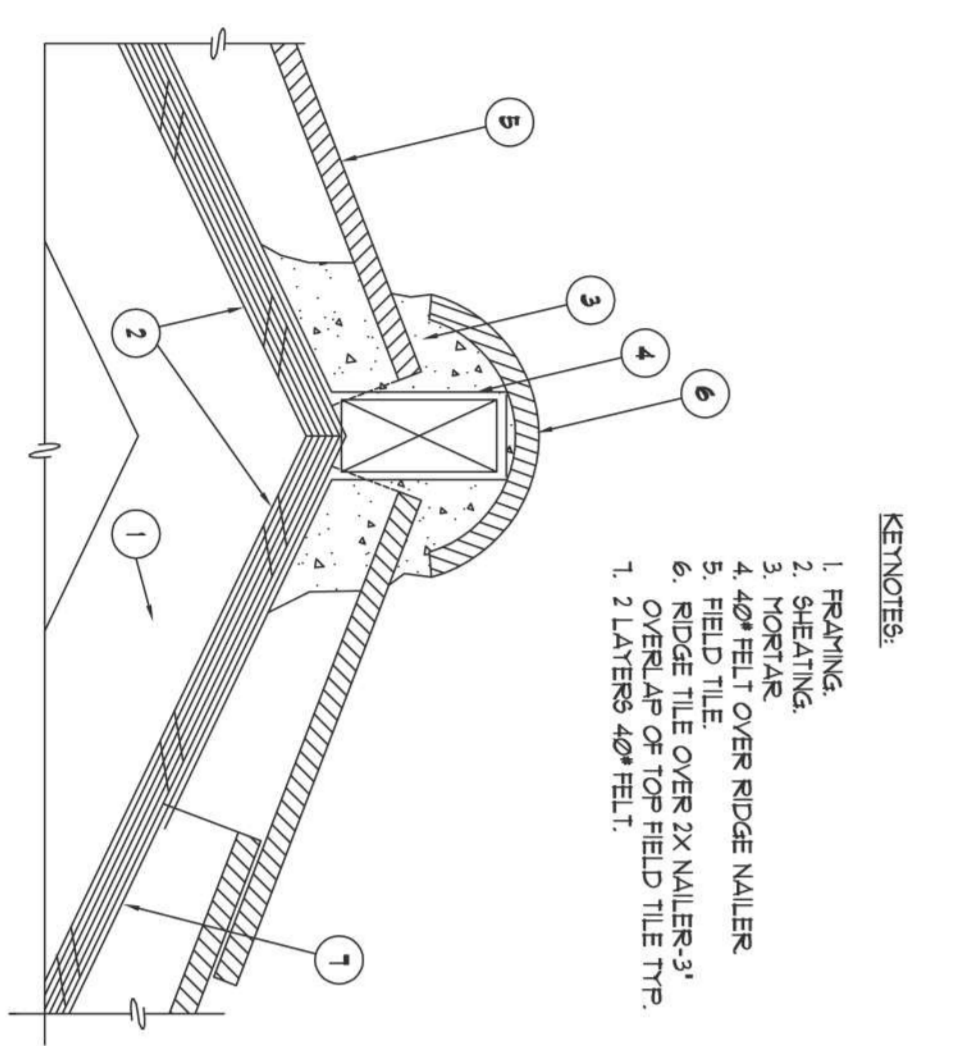
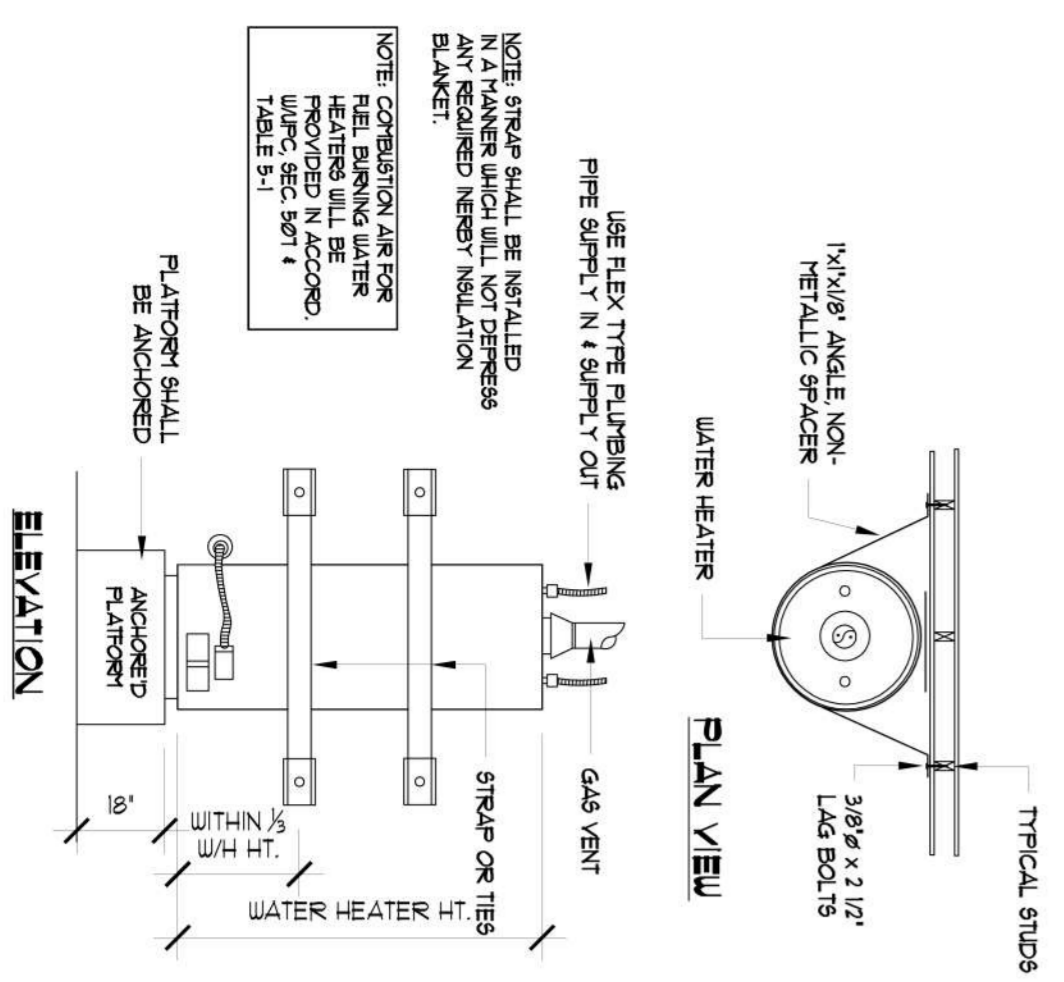


SECTION A
SCALE: 1/4" = 1'



SECTION B
SCALE: 1/4" = 1'



- KEYNOTES:**
1. FLASHING
 2. SHEATING
 3. MORTAR
 4. 40# FELT OVER RIDGE VALLEY
 5. FIELD TILE OVER 2x VALLEY 2"
 6. RIDGE TILE OVER FIELD TILE 2"
 1. 2 LAYERS 40# FELT.

REVISIONS:
FEBRUARY / 2008
DATE: DECEMBER / 2007
SCALE: AS SPECIFIED
PLANS DRAWN & PREPARED BY: MARCO A. LAUREANO
SHEET: A-3
OF SHEET: 11

CONSULTANT:

PROJECT NAME:
BLUM'S RESIDENCE
XXXX LANCASHIRE WAY SAN DIEGO, CA. 92128

OWNER:
MR. BLUM
XXXX LANCASHIRE WAY HOME: 000-000-0000
SAN DIEGO, CA. 92128 CELL: 000-000-0000

DISEÑO DIBUJO Y CONSTRUCCION
Dibujo de planos arquitectonicos
Permisos para construcción
Ampliación de cuartos y patios
Marco A. Laureano
760.805.2358
760.941.2678
LICENSE : 16964

MARCO'S HOUSE PLANS & DESIGN
Architectural CAD drafting
Building permits
Room and patio additions
Marco A. Laureano
760.805.2358
760.941.2678
LICENSE : 16964