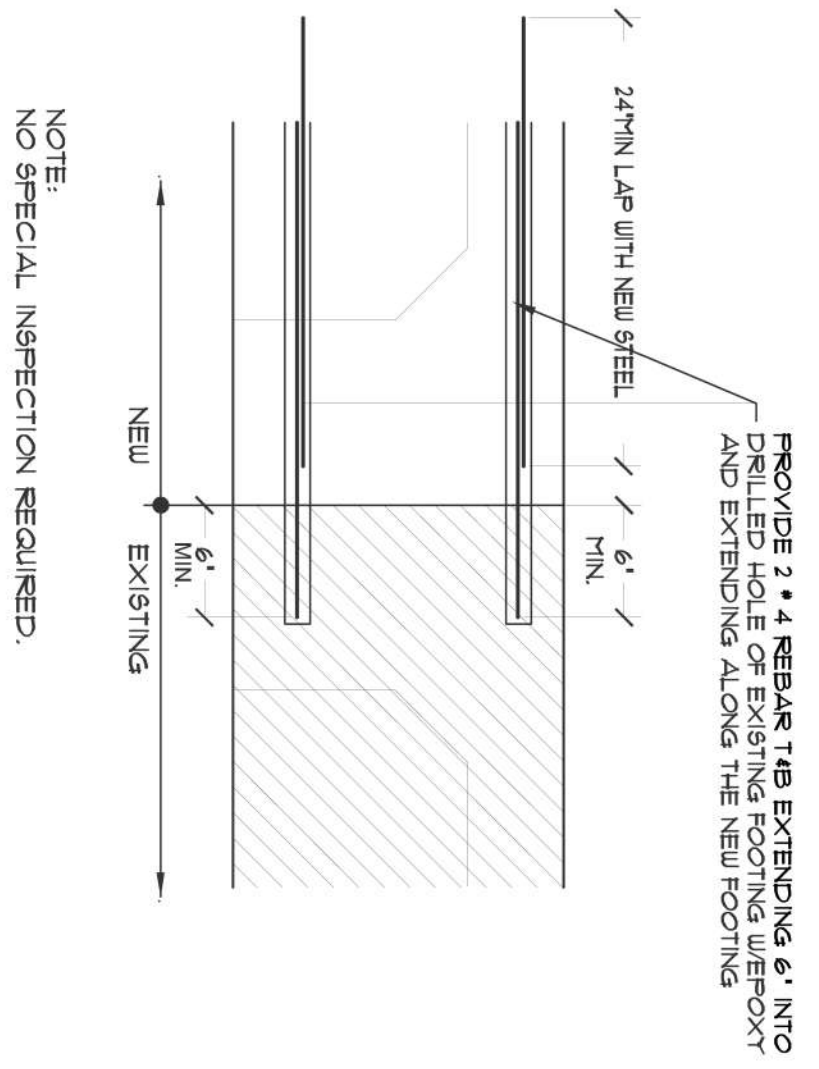


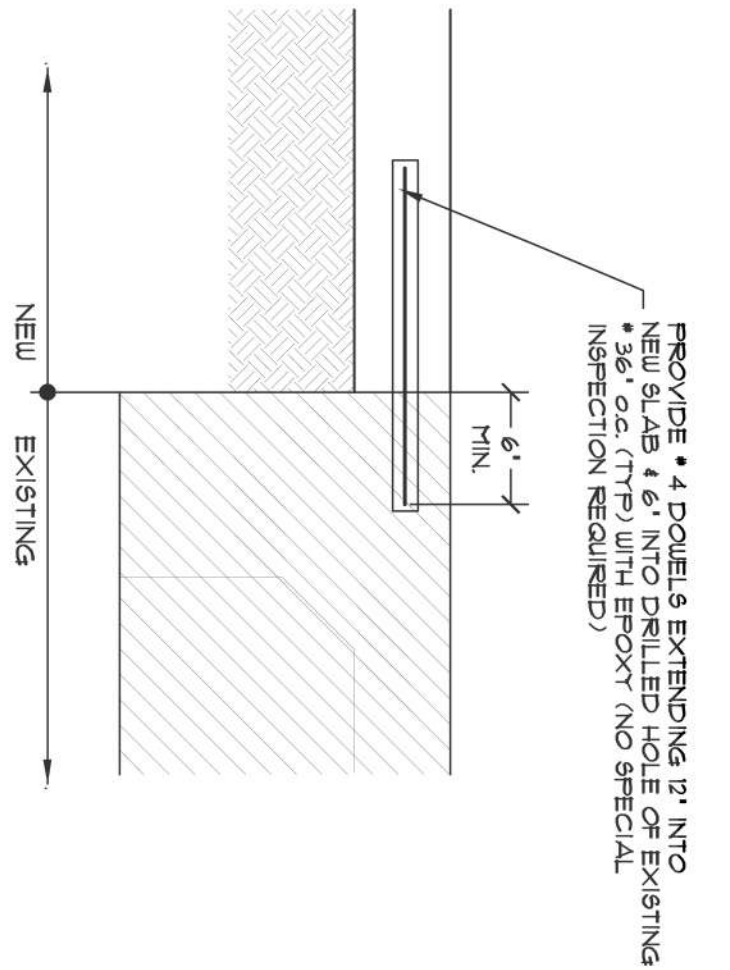
TYPICAL ONE STORY FOOTING DETAIL

1



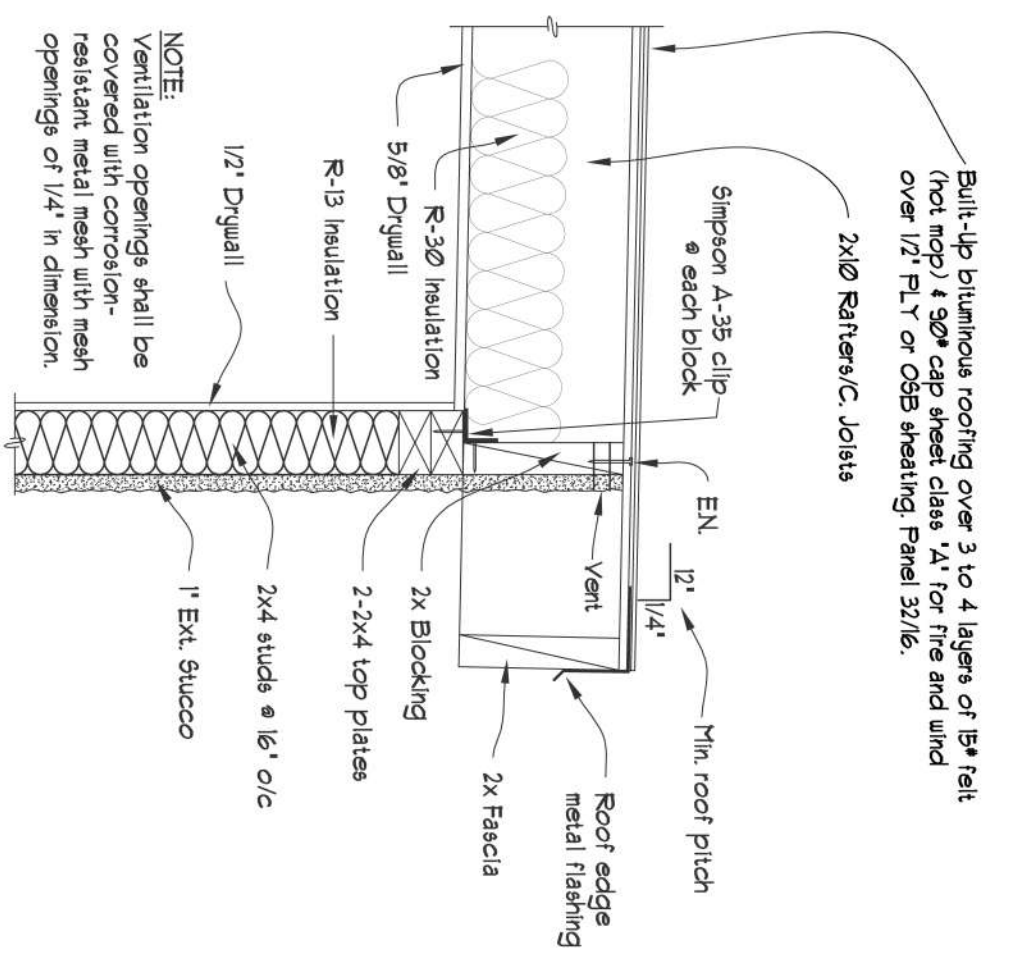
TIE-IN NEW WITH EXISTING FOOTING DETAIL

2



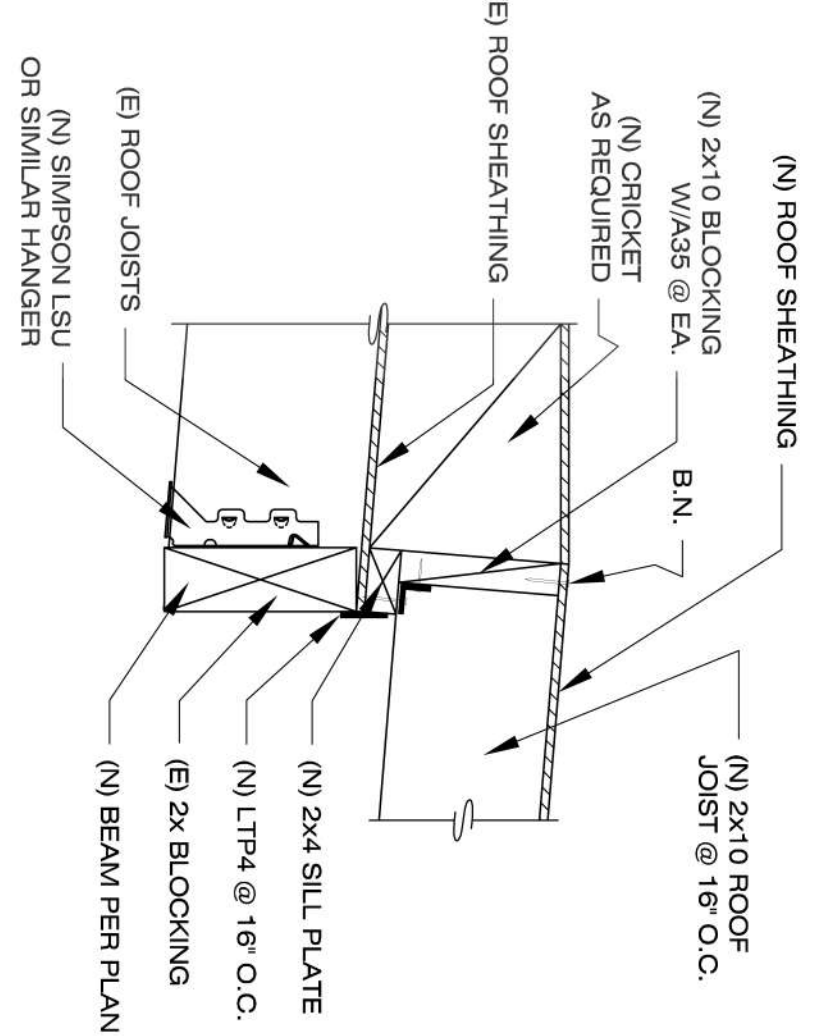
TIE-IN NEW SLAB WITH EXISTING FOOTING DETAIL

3



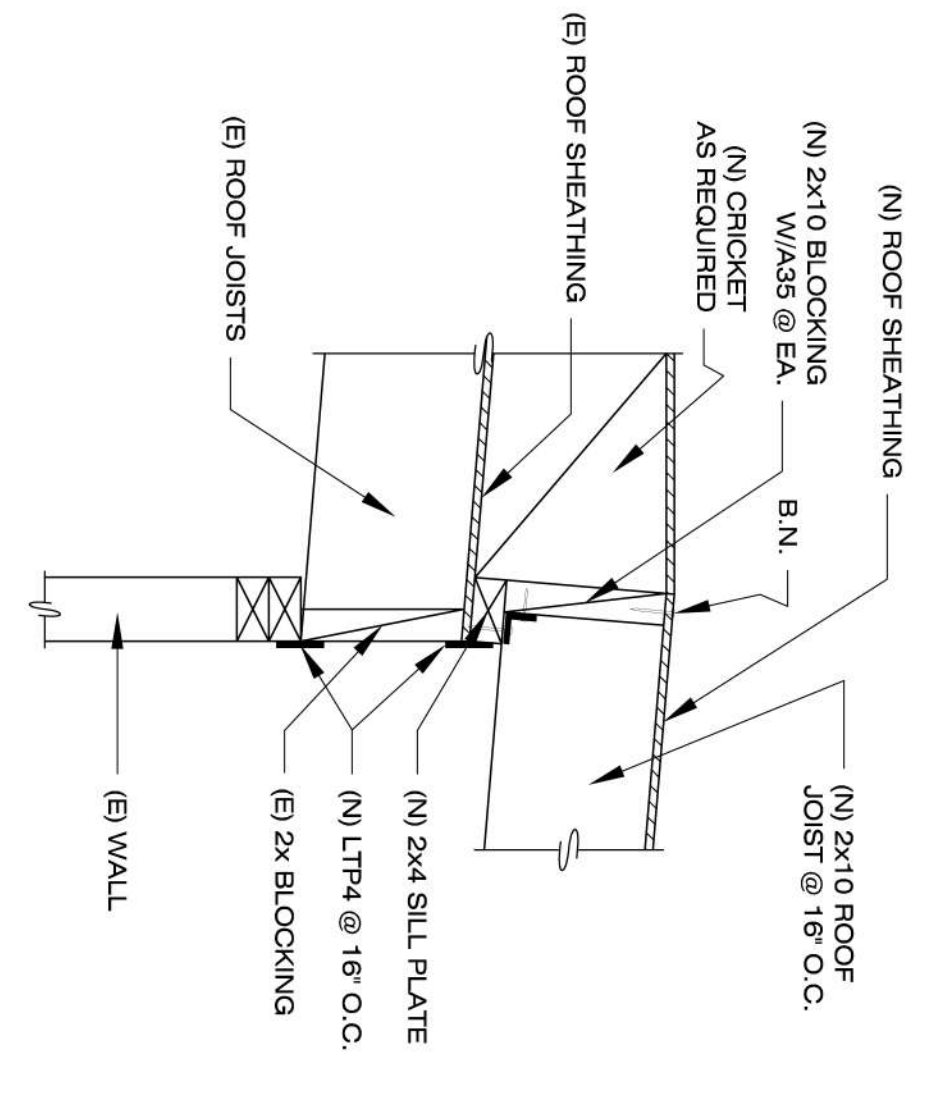
SHED ROOF EAVE DETAIL

4



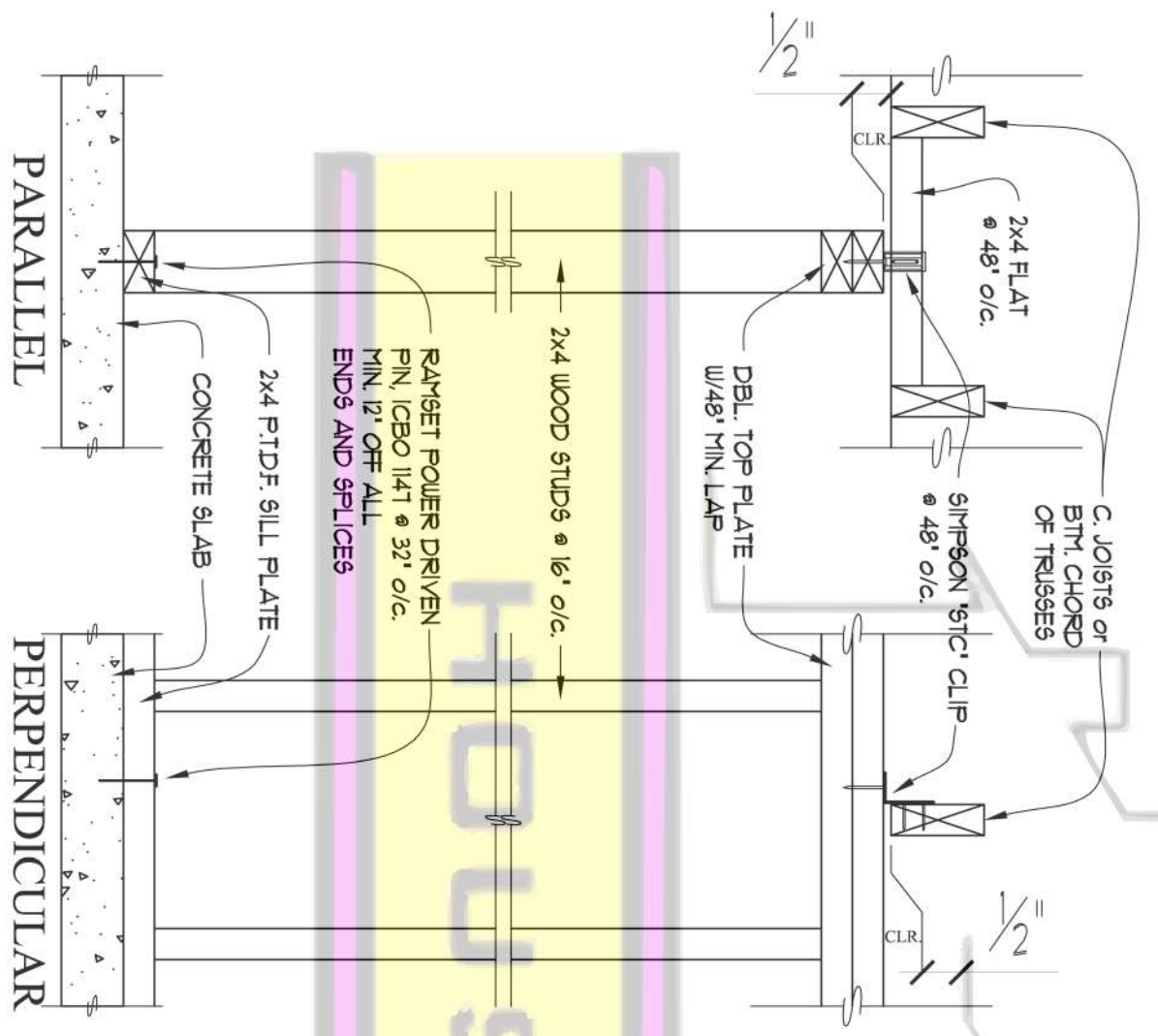
(N) BEAM AT (N) WITH (E) ROOF CONNECTION DETAIL

5



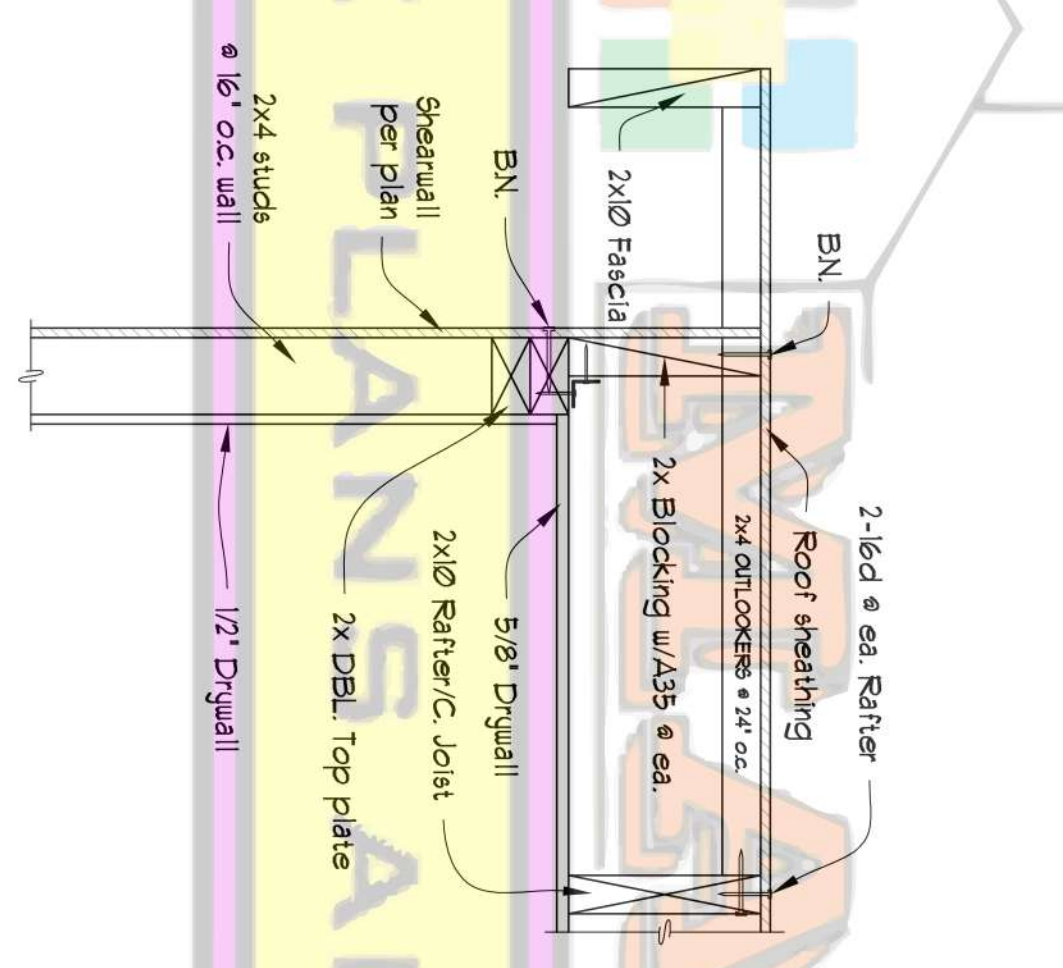
(N) ROOF ON (E) ROOF CONNECTION DETAIL

6



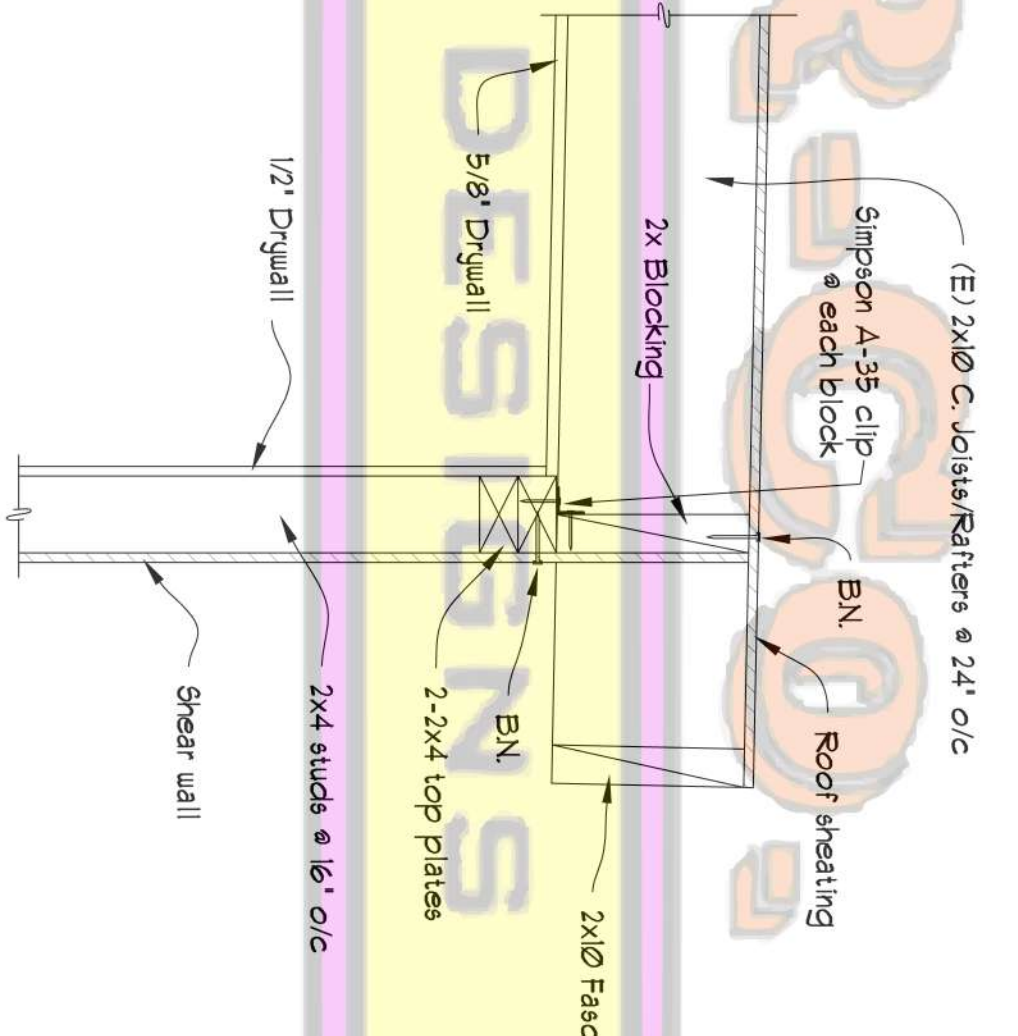
INTERIOR PARTITION WALL DETAIL

7



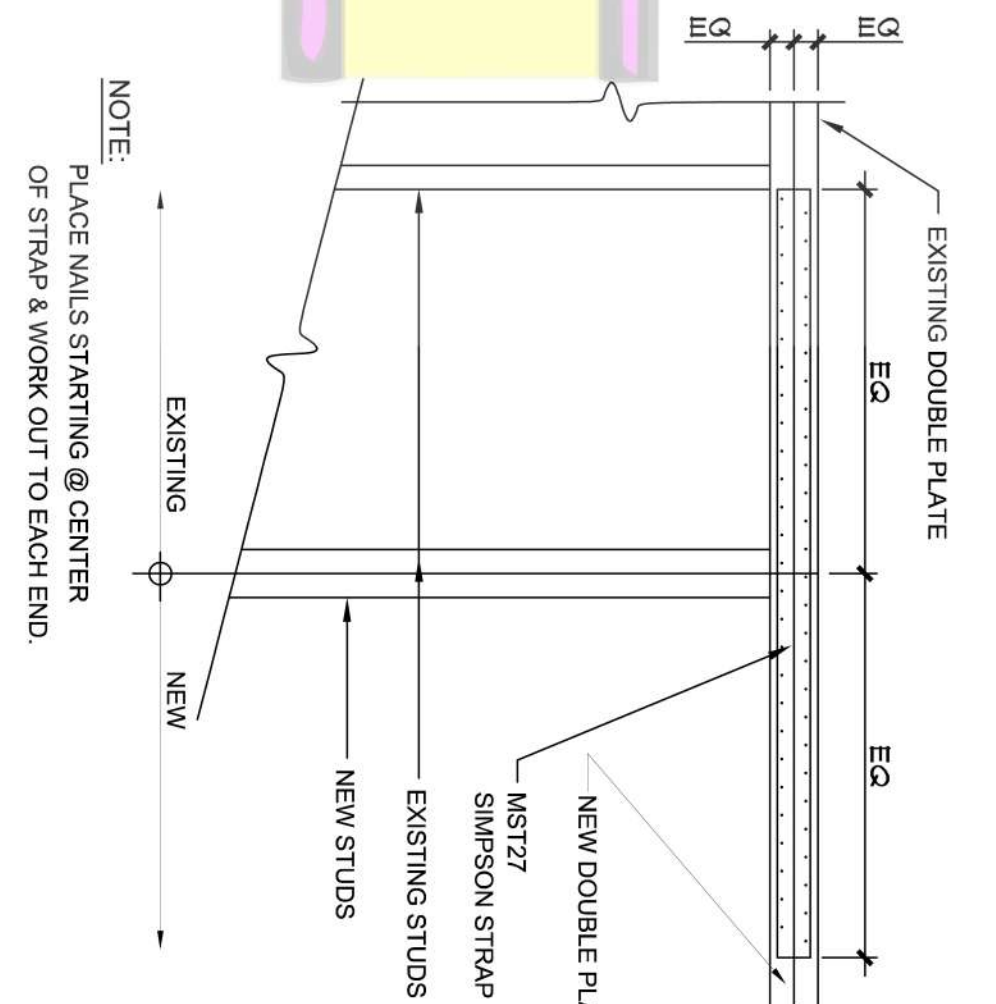
SHEARWALL TRANSFER & RAKE RAKE DETAIL

8



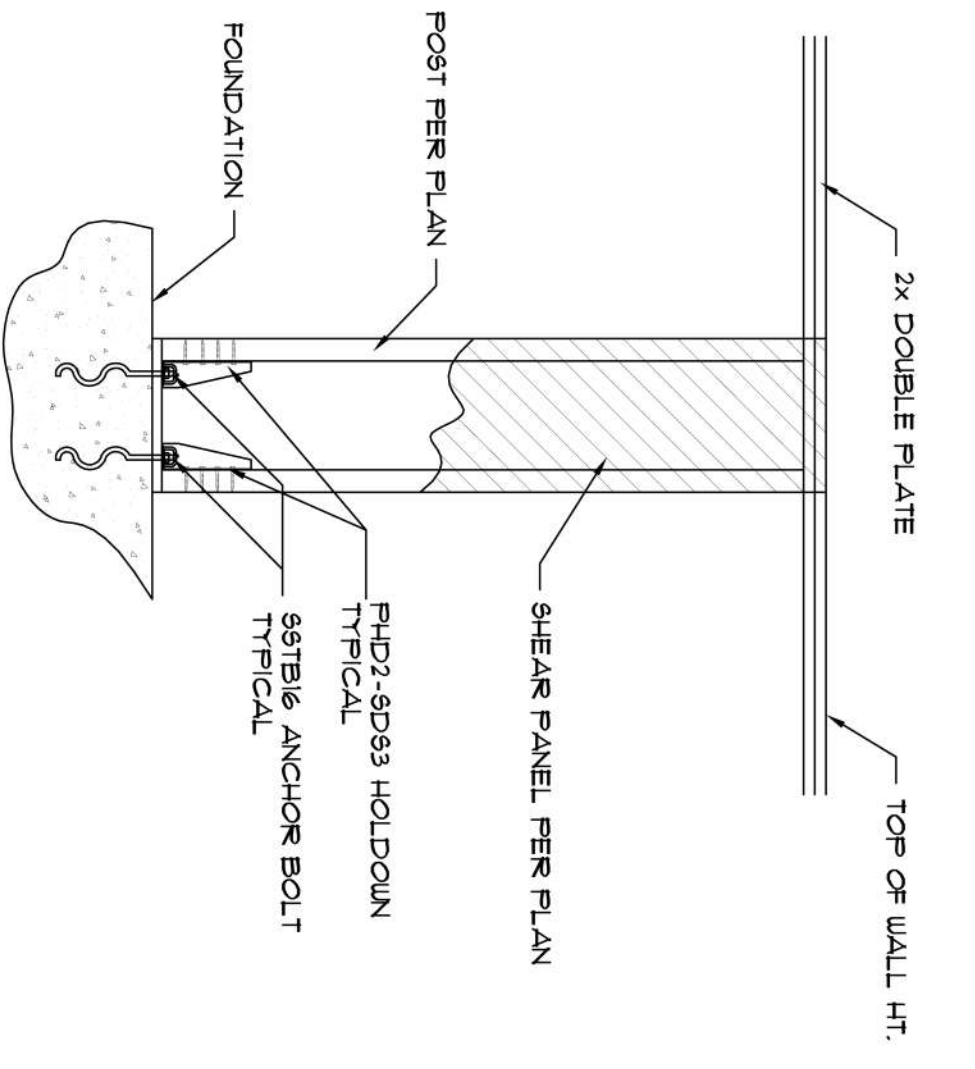
SHEAR TRANSFER & EAVE DETAIL

9



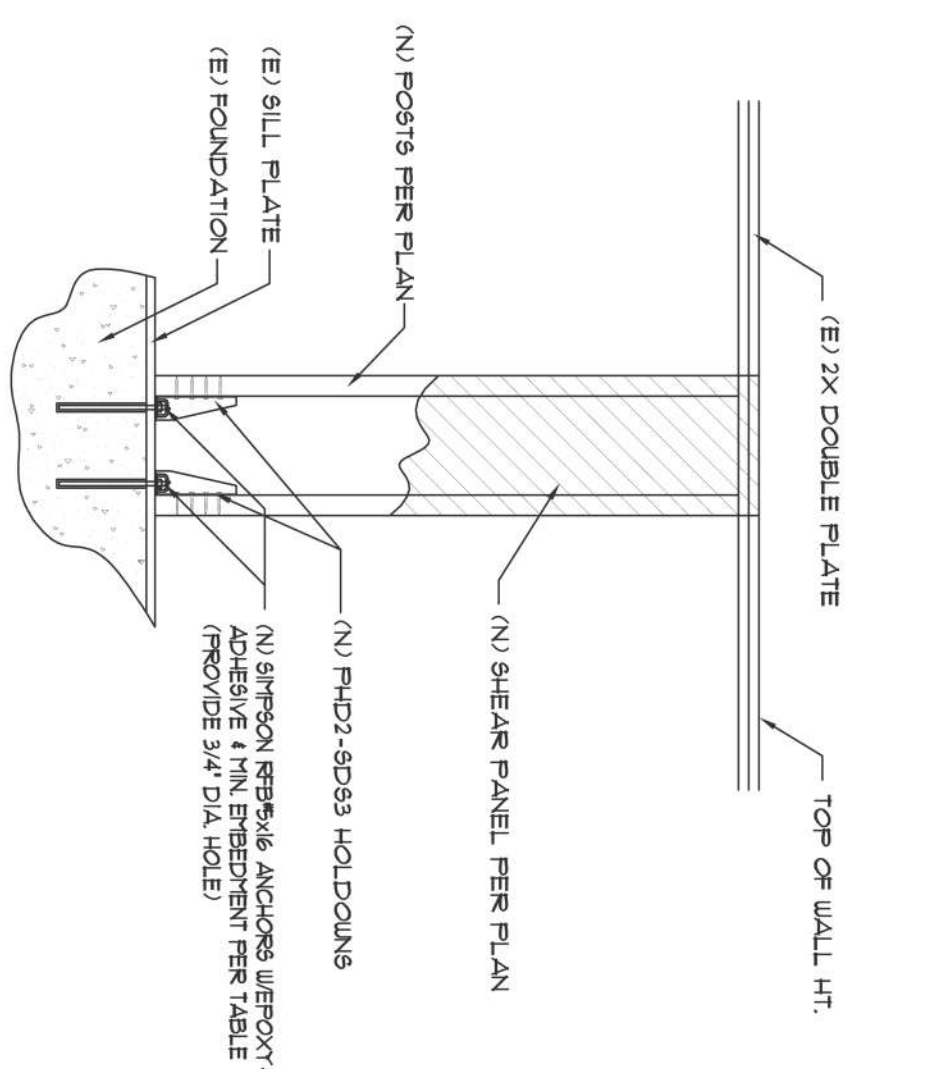
MSTT STRAP & UNION OF (N) WITH (E)

10



SHEARWALL DETAIL

11



RETROFIT SHEARWALL DETAIL

12

**EPOXY-TIE HOLDOWN ANCHOR**

SCALE: 1" = 1'-0"

| SIMPSON HOLDOWN | REQUIRED EPOXY-TIE ADHESIVE CAPACITY | ANCHOR    | MINIMUM EMBEDMENT |
|-----------------|--------------------------------------|-----------|-------------------|
| HDA             | SET                                  | RR9 #5x18 | 10"               |
| HDA             | SET                                  | RR9 #5x18 | 10"               |
| PHD             | SET                                  | RR9 #5x18 | 10"               |
| HTT6            | SET                                  | RR9 #5x18 | 10"               |
| HTT2            | SET                                  | RR9 #5x18 | 10"               |
| HDA             | SET                                  | RR9 #5x18 | 10"               |
| HDA             | SET                                  | RR9 #5x18 | 10"               |
| PHD             | SET                                  | RR9 #5x18 | 10"               |
| PHD             | SET                                  | RR9 #5x18 | 10"               |

**ELEVATION**

**SECTION**

EPOXY-TIE HOLDOWN ANCHOR DETAIL & TABLE

13

DETAIL

14

DETAIL

15

REVISIONS:

| NO. | DATE        | DESCRIPTION  |
|-----|-------------|--------------|
| 1   | JUNE / 2008 | AS SPECIFIED |

PLANS DRAWN & PREPARED BY:  
**MARCO A. LAUREANO**

CONSULTANT:

**MARCO'S HOUSE PLANS & DESIGN**

Architectural CAD drafting  
Building permits  
Room and patio additions

**Marco A. Laureano**

LICENSE: 16964

PROJECT NAME & ADDRESS:

**HEFNER'S ROOM ADDITION**

XXXX CAREN RD. VIETA, CA. 92083

OWNER'S NAME & ADDRESS:

**MR. & MRS. HEFNER**

XXXX CAREN RD. VIETA, CA. 92083

HOME: 000-000-0000  
CELL: 000-000-0000

**DISEÑO DIBUJO Y CONSTRUCCION**

Dibujo de planos arquitectonicos  
Permisos para construccion  
Amplificacion de cuartos y patios

**Marco A. Laureano**

760.805.2398  
760.941.2678  
LICENSE: 16964

**MARCO'S HOUSE PLANS & DESIGN**

Architectural CAD drafting  
Building permits  
Room and patio additions

**Marco A. Laureano**

LICENSE: 16964

760.805.2398  
760.941.2678  
LICENSE: 16964