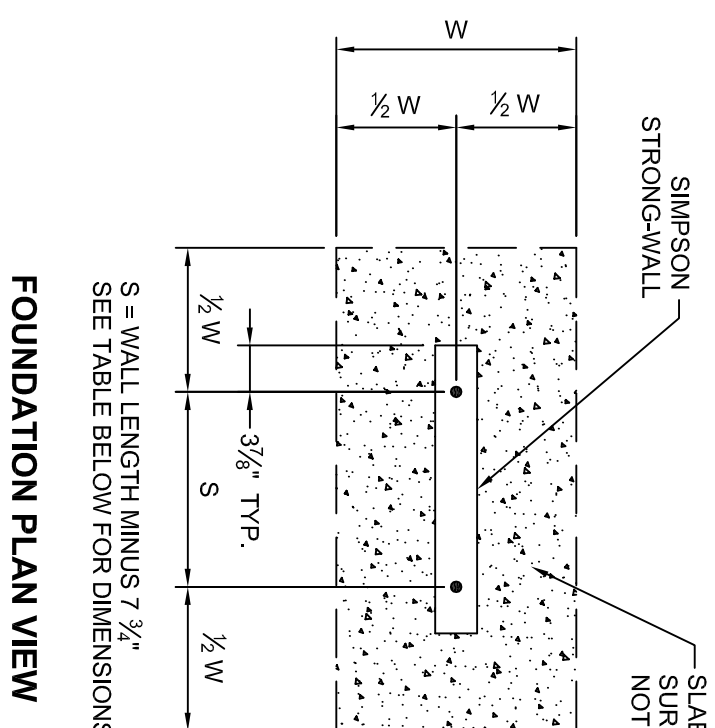


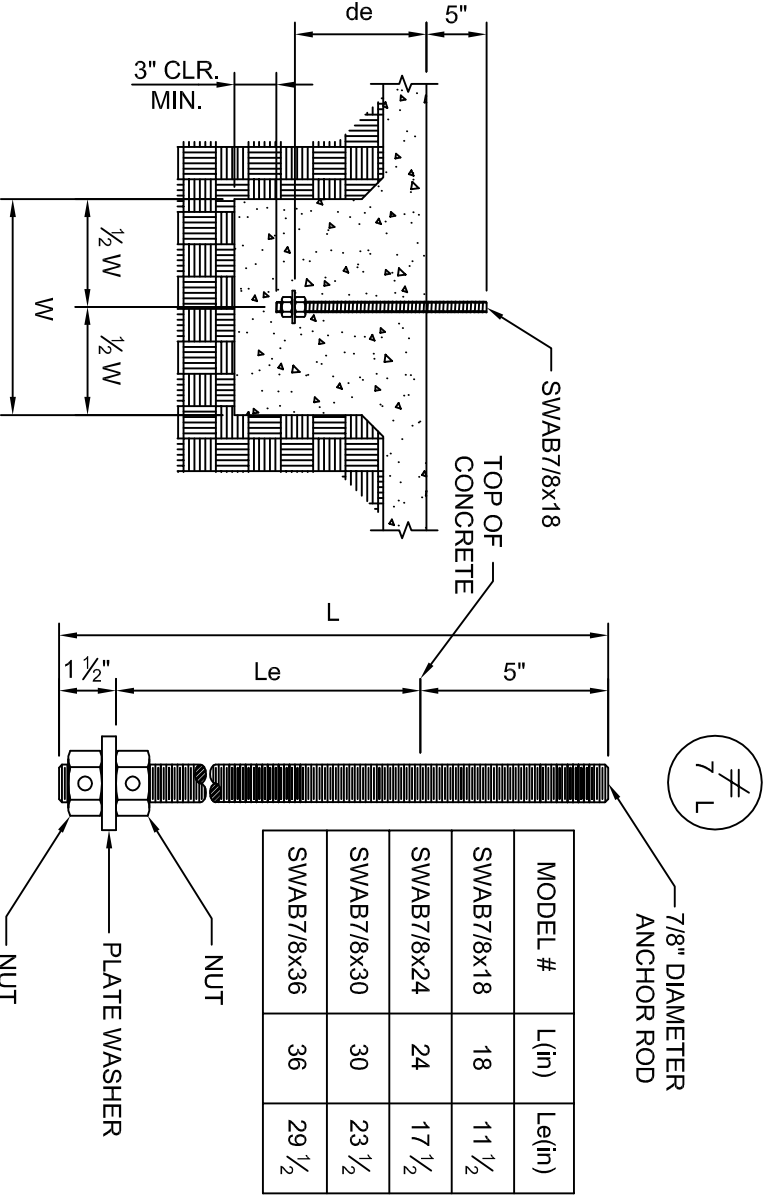
SLAB ON GRADE FOUNDATION CURB OR STEMWALL FOUNDATION

H = 13 1/2" MAXIMUM WITH SWAB7/8x30 ANCHOR BOLT WHEN de = 10"  
H = 19 1/2" MAXIMUM WITH SWAB7/8x36 ANCHOR BOLT WHEN de = 10"



FOUNDATION PLAN VIEW

FOUNDATION DIMENSIONS FOR STRONG-WALL ANCHORAGE				
CONDITION	ASD ALLOWABLE UP/LIFT (lbs)	W (ft)	de (ft)	H (ft)
CRACKED	13,000	29	10	
UNCRACKED	13,000	21	7	
CRACKED	6,500	16	6	
	9,700	21	7	
	12,800	25	9	
UNCRACKED	6,600	14	6	
	9,600	18	6	
	13,000	22	8	



INTERIOR FOUNDATION

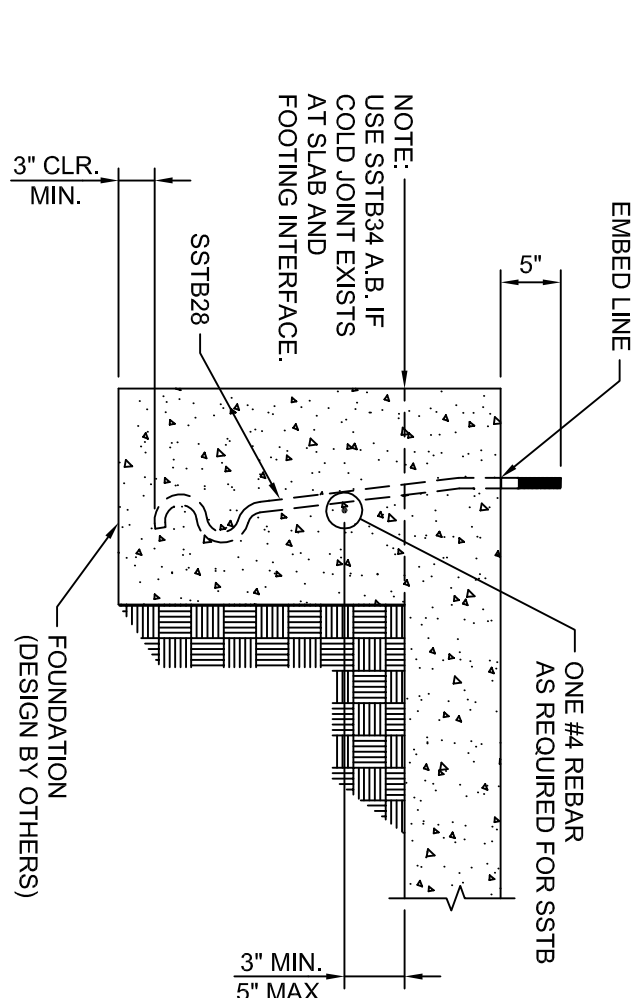
SWAB7/8 ANCHOR BOLT

NOTES:  
1. SEE 2-SW1 FOR DIMENSIONS AND ADDITIONAL NOTES.

ANCHORAGE - TYPICAL SECTIONS 1

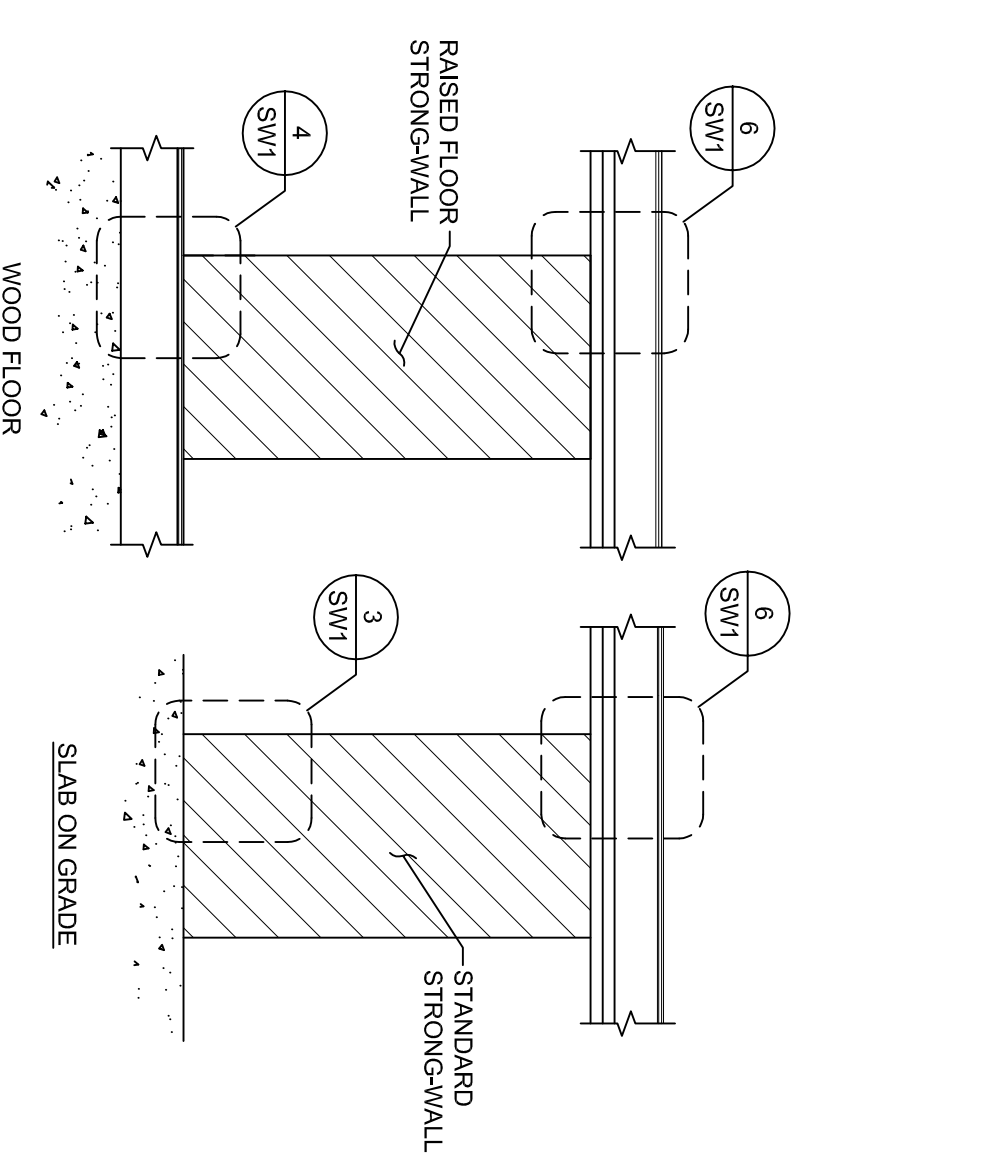
SEE SHEET SW2 FOR STACKED STRONG-WALL REQUIREMENTS.

SSTB ANCHOR BOLTS ARE NOT CURRENTLY CODE LISTED. SEE DETAILS 1-SW1 AND 2-SW1 FOR SWAB7/8 CODE LISTED ANCHORAGE SOLUTIONS. REFER TO THE INSTALLATION AND REBAR LENGTH REQUIREMENTS.



NOTE:  
USE SSTB28 A,B IF COLO JOINT EXISTS AT SLAB AND FOOTING INTERFACE.

SSTB ANCHORAGE (SLAB ON GRADE) 9

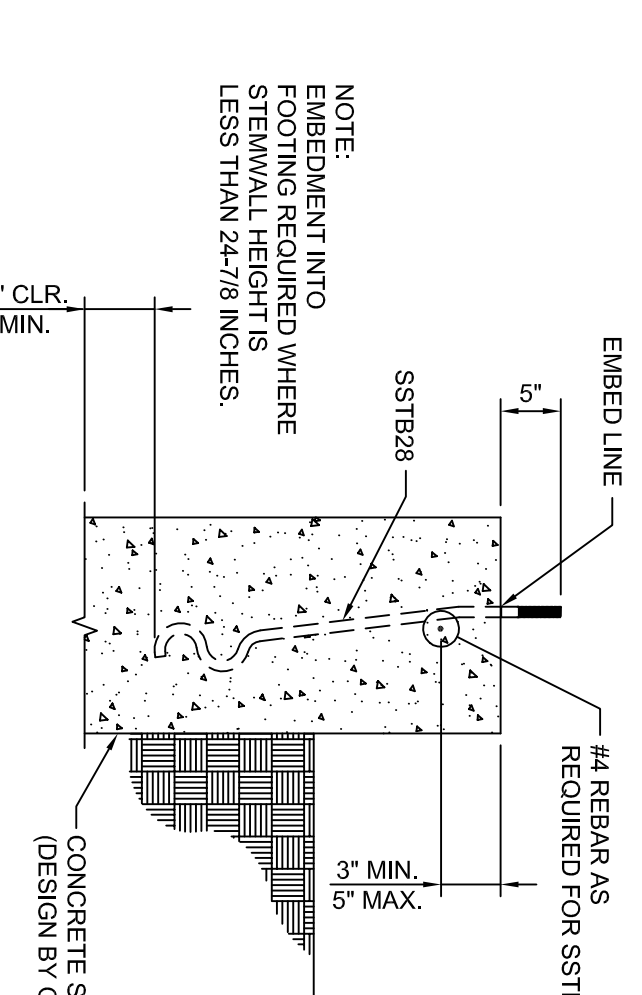


SINGLE STORY STRONG-WALL® 11

ANCHORAGE SCHEDULE 2

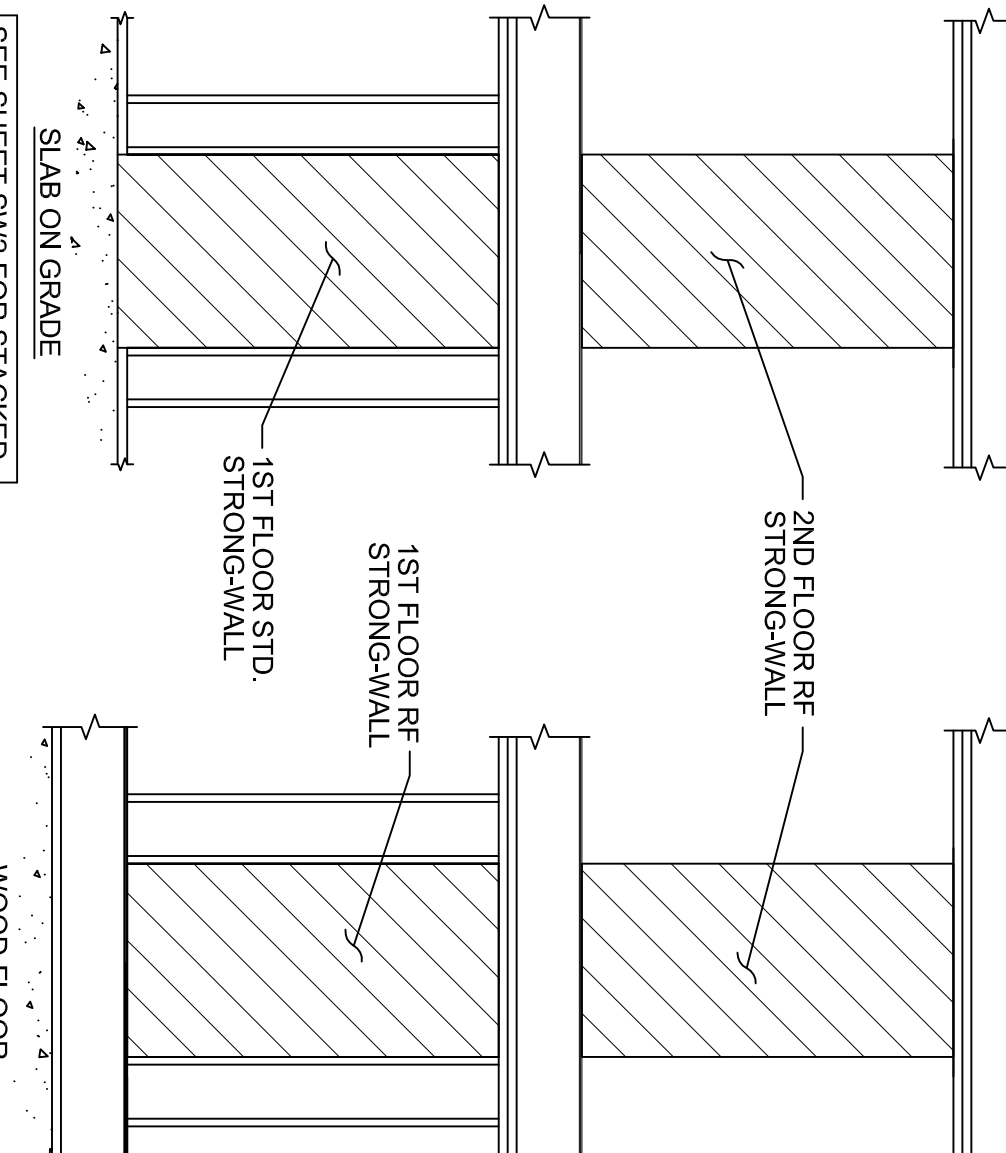
SEE SHEET SW2 FOR STACKED STRONG-WALL REQUIREMENTS.

SSTB ANCHOR BOLTS ARE NOT CURRENTLY CODE LISTED. SEE DETAILS 1-SW1 AND 2-SW1 FOR SWAB7/8 CODE LISTED ANCHORAGE SOLUTIONS. REFER TO THE INSTALLATION AND REBAR LENGTH REQUIREMENTS.



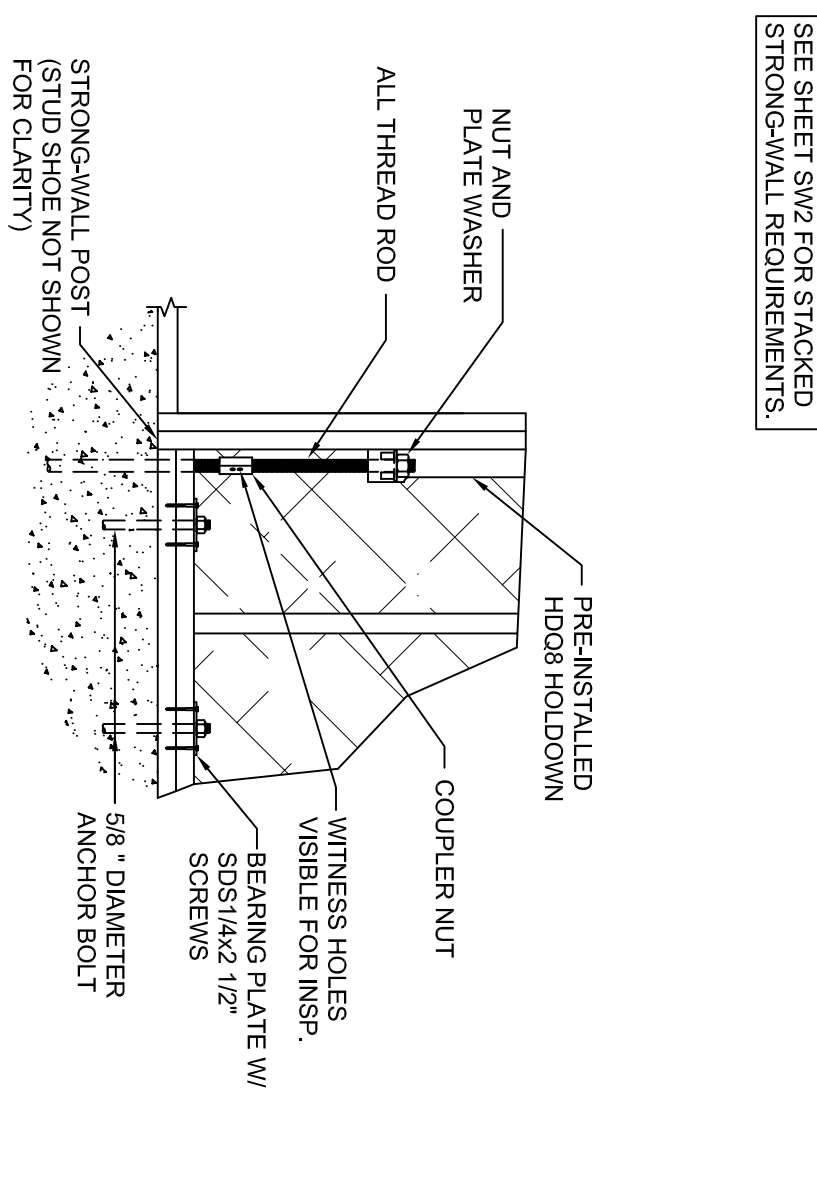
NOTE:  
EMBEDMENT INTO FOOTING REQUIRED WHERE FEELING REBAR LESS THAN 24" IN INCHES.

SSTB ANCHORAGE (CONC. STEM WALL) 10

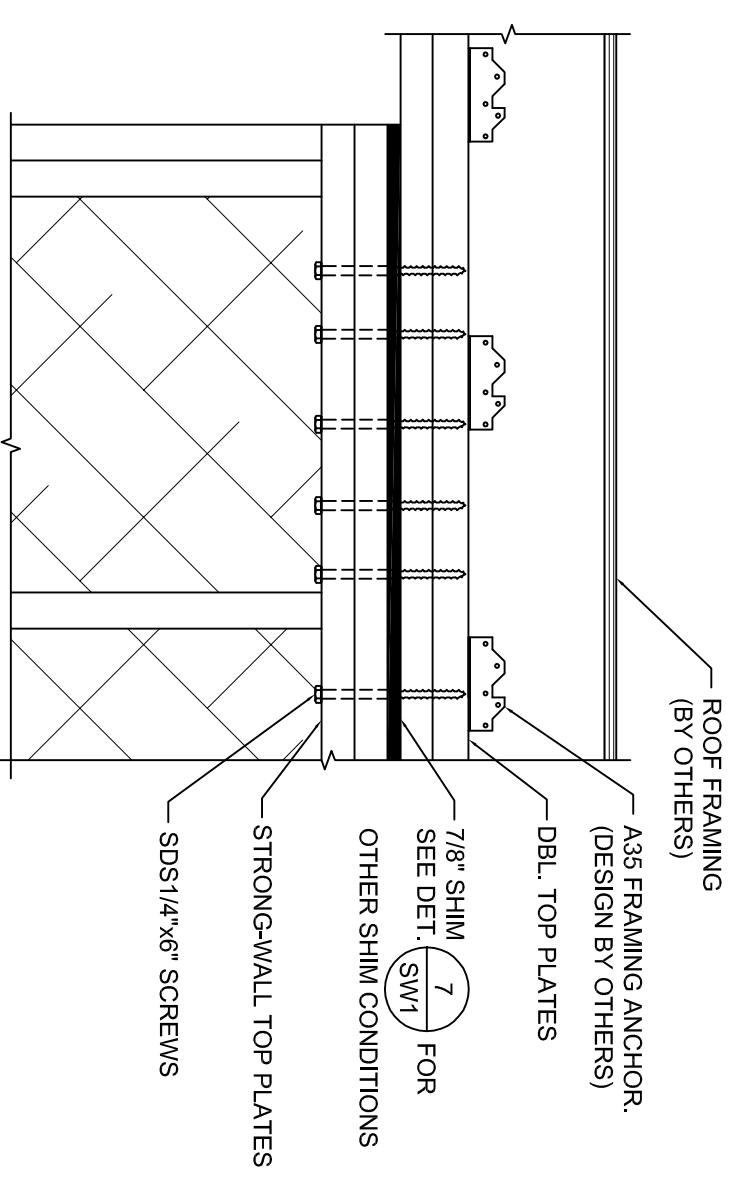


STACKED STRONG-WALL® 12

STANDARD WALL SILL 3

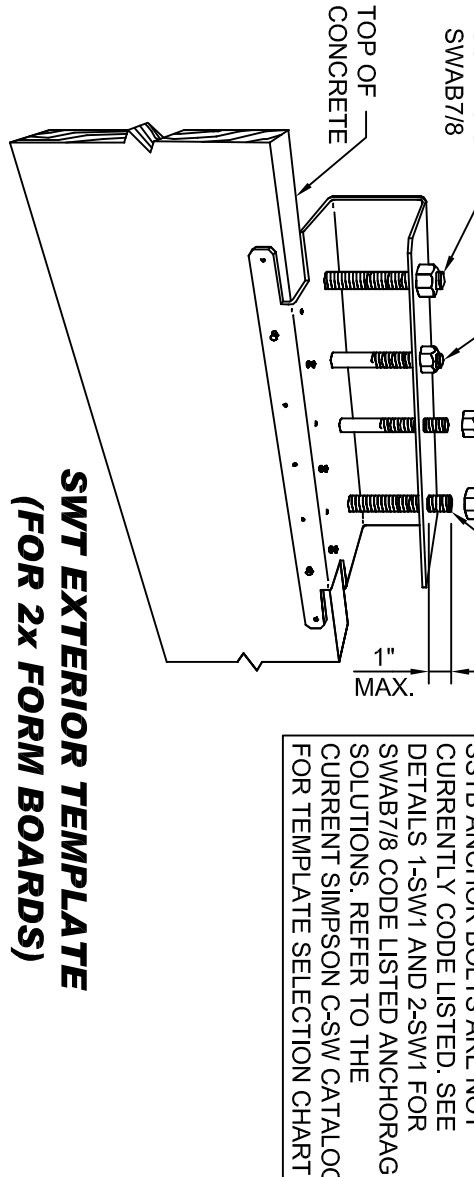


SEE SHEET SW2 FOR STACKED STRONG-WALL REQUIREMENTS.

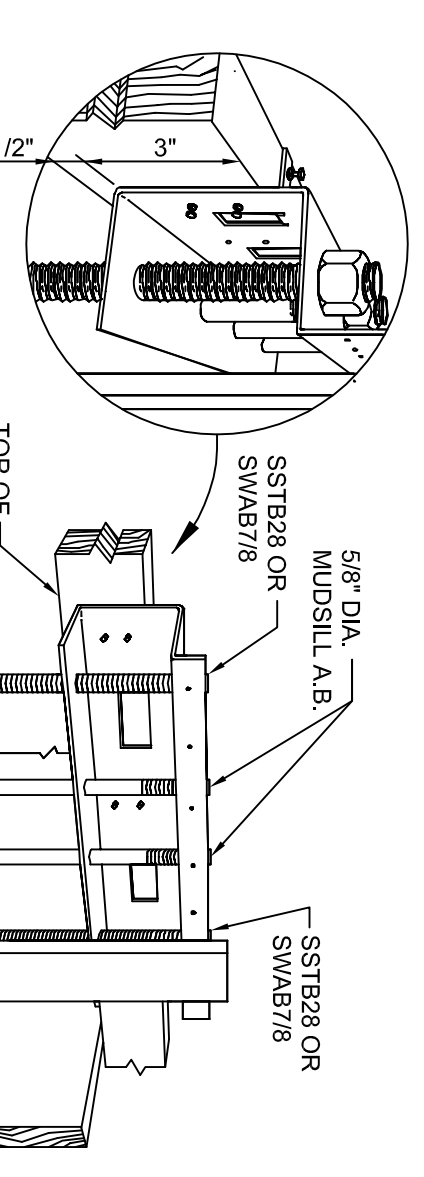


TOP PLATE CONNECTION 6

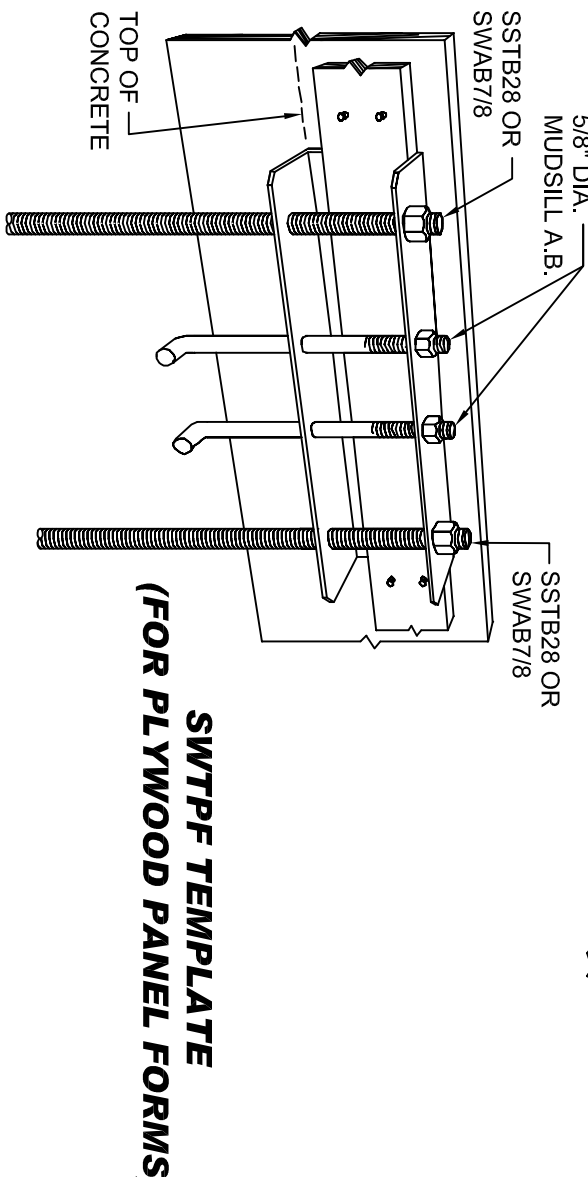
SSTB ANCHOR BOLTS ARE NOT CURRENTLY CODE LISTED. SEE DETAILS 1-SW1 AND 2-SW1 FOR SWAB7/8 CODE LISTED ANCHORAGE SOLUTIONS. REFER TO THE INSTALLATION AND REBAR LENGTH REQUIREMENTS.



SWT EXTERIOR TEMPLATE (FOR 2X FORM BOARDS)



SWT INTERIOR TEMPLATE (FOR 2x4 ABOVE CONCRETE)

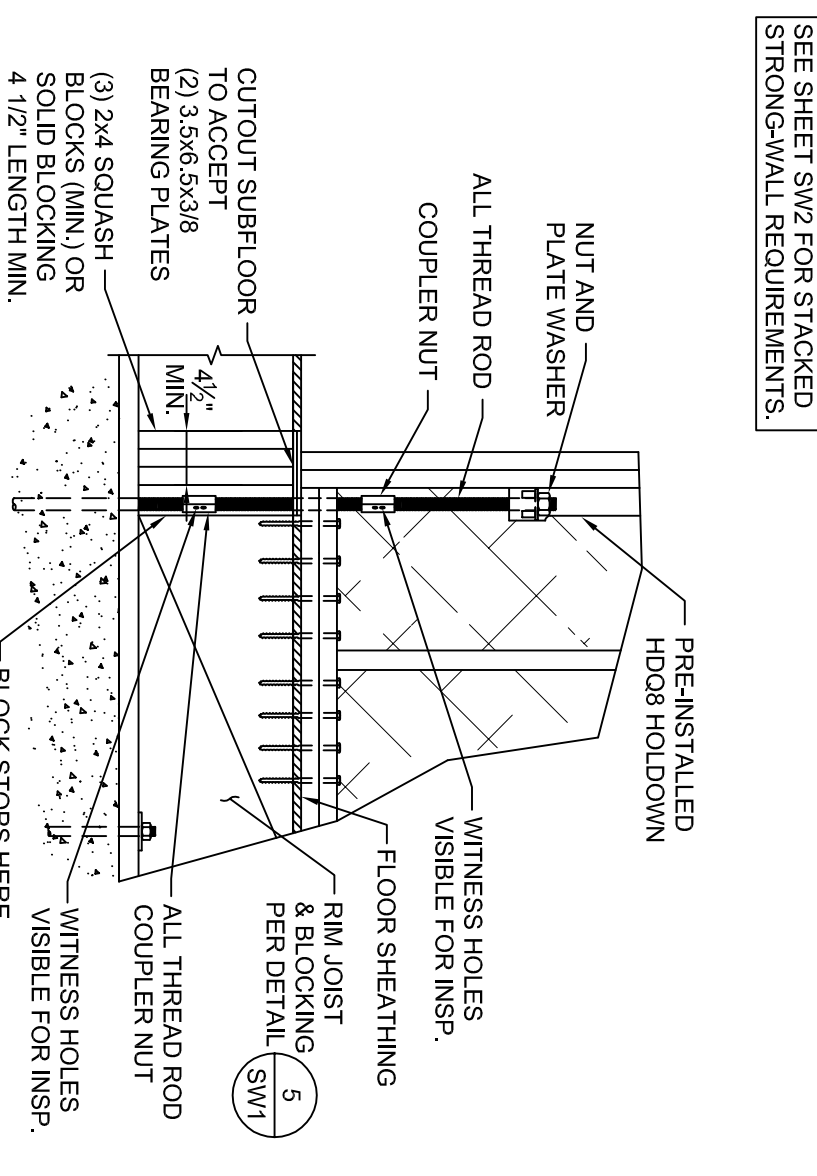


SWTPF TEMPLATE (FOR PLYWOOD PANEL FORMS)

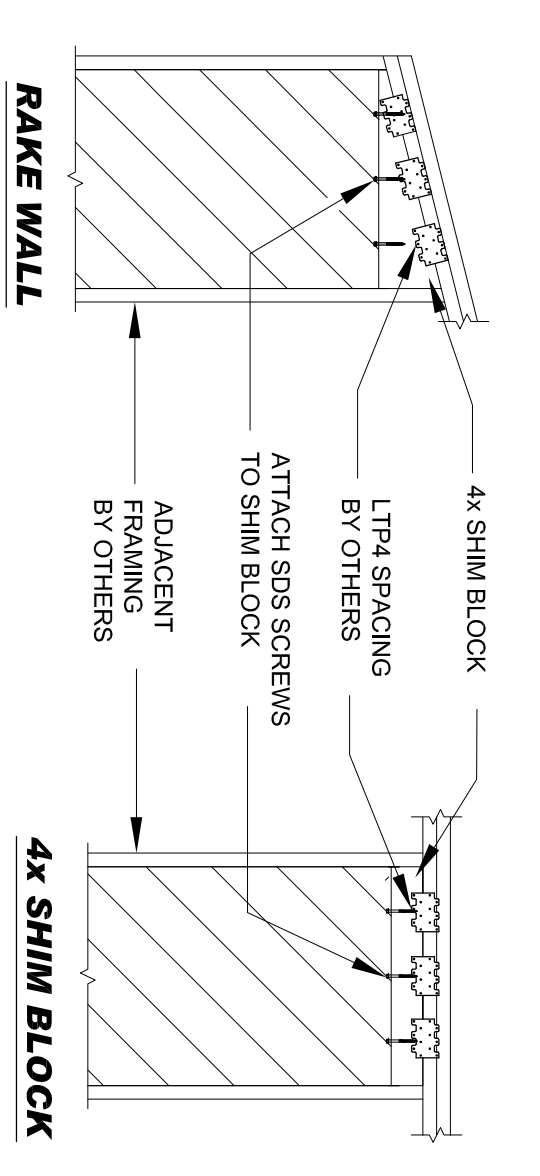
SEE SHEET SW2 FOR STACKED STRONG-WALL ANCHOR BOLT REQUIREMENTS.

STRONG-WALL® TEMPLATES 13

RAISED FLOOR WALL SILL 4

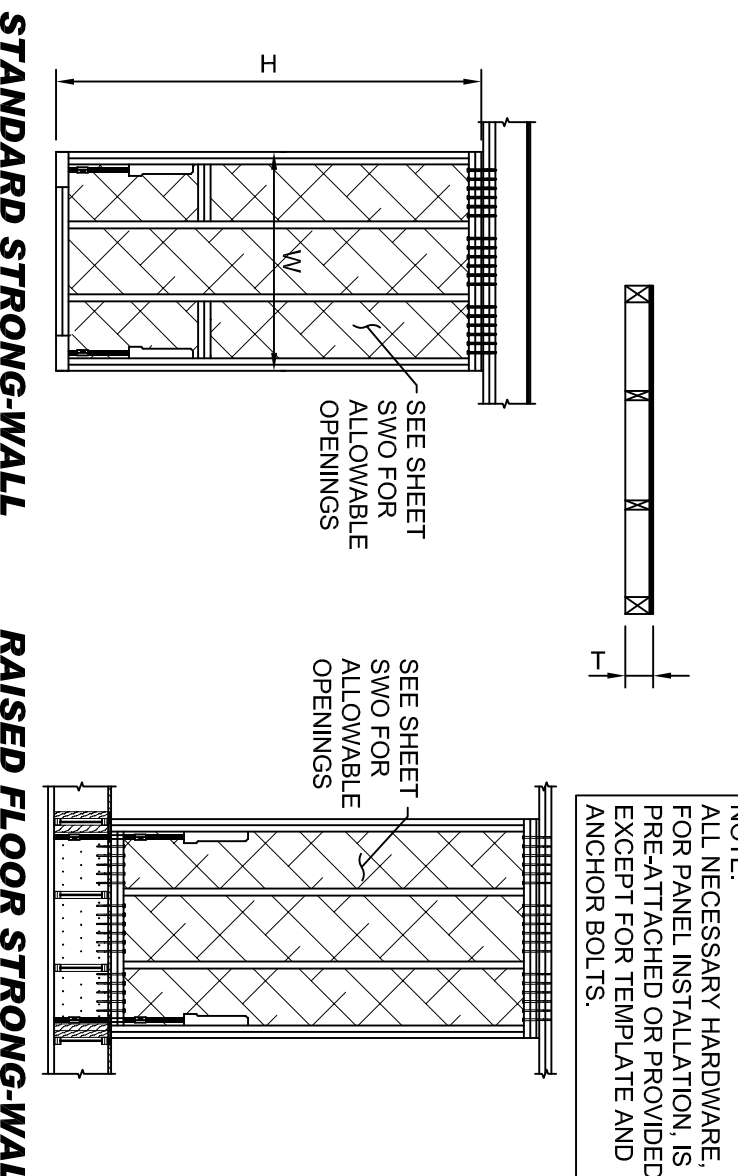


SEE SHEET SW2 FOR STACKED STRONG-WALL REQUIREMENTS.



SHIM BLOCK ON STD. & RF WALLS 7

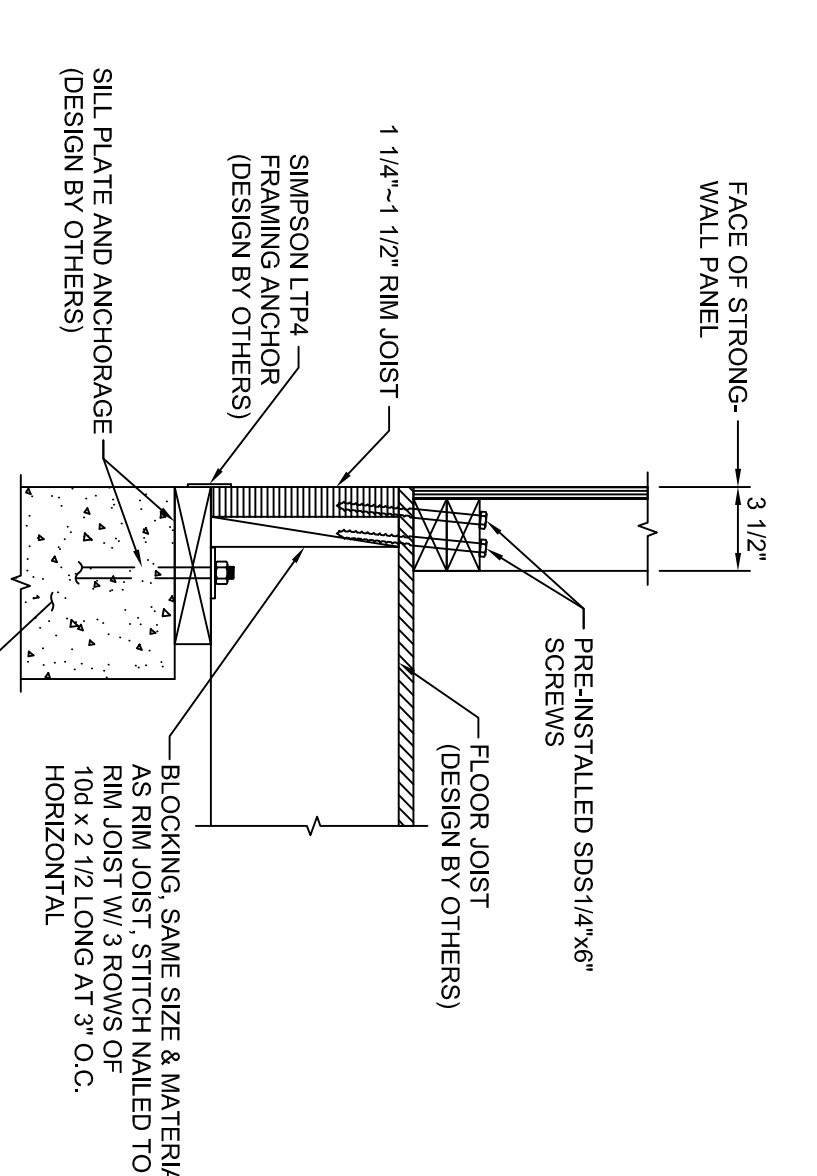
ENGINEER OF RECORD SHALL DESIGN FOR:  
1. SHEAR TRANSFER  
2. OUT OF PLANE LOADING EFFECT  
3. INCREASED OVERTURNING AND DRIFT DUE TO ADDITIONAL HEIGHT.



WALL SPECIFICATIONS 14

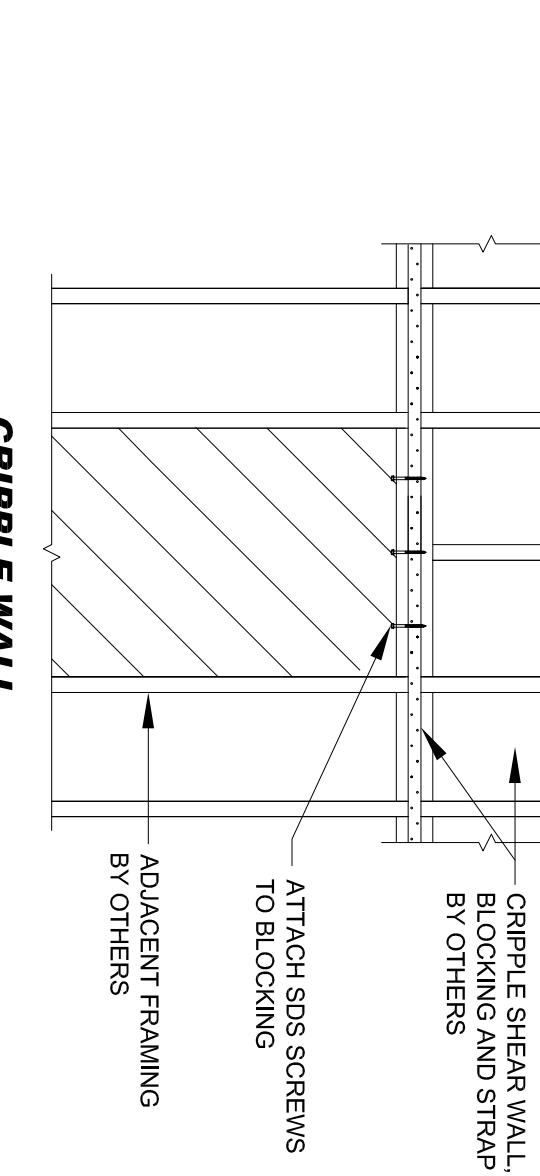
MODEL SET UP	W (ft)	H (ft)	T (ft)	NUMBER OF FASTENERS IN BOTTOM OF WALL	NUMBER OF FASTENERS IN TOP OF WALL	HOLDOWN ANCHOR BOLT WEIGHT (lbs)	MAX WALL WEIGHT (lbs)
SW18x8RF	18	93.14	3.12	16-S505 14x6	9-S505 14x6	22/80	85
SW24x8RF	24	93.14	3.12	16-S505 14x6	12-S505 14x6	22/80	91
SW30x8RF	30	93.14	3.12	20-S505 14x6	16-S505 14x6	22/80	116
SW48x8RF	48	93.14	3.12	28-S505 14x6	24-S505 14x6	22/80	149
SW18x9RF	18	105.14	3.12	16-S505 14x6	9-S505 14x6	22/80	94
SW24x9RF	24	105.14	3.12	20-S505 14x6	12-S505 14x6	22/80	101
SW30x9RF	30	105.14	3.12	20-S505 14x6	16-S505 14x6	22/80	128
SW48x9RF	48	105.14	3.12	28-S505 14x6	24-S505 14x6	22/80	165
SW24x10RF	24	117.14	3.12	16-S505 14x6	12-S505 14x6	22/80	111
SW30x10RF	30	117.14	3.12	16-S505 14x6	16-S505 14x6	22/80	134
SW48x10RF	48	117.14	3.12	28-S505 14x6	24-S505 14x6	22/80	177

RAISED FLOOR WALL SECTION 5



CRIPPLE WALL ON STD & RF WALLS 8

ENGINEER OF RECORD SHALL DESIGN FOR:  
1. SHEAR TRANSFER  
2. OUT OF PLANE LOADING EFFECT  
3. INCREASED OVERTURNING AND DRIFT DUE TO ADDITIONAL HEIGHT.



NOTES 15

- STRONG-WALL® SHEARWALL IS MANUFACTURED AND TRADEMARKED BY SIMPSON STRONG-TIE COMPANY INC., HOME OFFICE: 5956 W. LAS POSITAS BOULEVARD, PLEASANTON, CA 94588 TEL: (800) 999-5099 FAX: (925) 875-0826
- INSTALLATION OF PRODUCT SHALL BE DONE IN STRICT CONFORMANCE WITH THE DRAWINGS AND THE STRONG-TIE INSTALLATION GUIDE.
- THE CONTRACTOR SHALL VERIFY ALL DIMENSIONS, CONDITIONS, MATERIALS, ETC. BEFORE INSTALLATION OF ANY COMPONENTS FOR THE WALL. ANY DEVIATIONS FROM THE DRAWINGS OR THE STRONG-TIE INSTALLATION GUIDE SHALL BE BROUGHT TO THE ATTENTION OF THE PROJECT ARCHITECT, PROJECT ENGINEER OR BUILDING DESIGNER FOR CLARIFICATION PRIOR TO CONSTRUCTION.
- THE CONTRACTOR SHALL VERIFY THE POSITION OF THE STRONG-WALL IN RELATION TO THE REST OF THE BUILDING SYSTEM AS SHOWN ON THE PROJECT DRAWINGS.
- USE OF THIS PRODUCT IS SUBJECT TO THE APPROVAL OF THE LOCAL BUILDING OFFICIAL.
- THE BUILDING STRUCTURE SHALL BE DESIGNED IN ACCORDANCE WITH THE LATEST ADOPTED VERSION OF THE BUILDING CODE AND ANY OTHER LOCAL, STATE OR FEDERAL REQUIREMENTS THAT MAY APPLY. VERIFY DESIGN REQUIREMENTS WITH THE LOCAL BUILDING DEPARTMENT.
- THIS PRODUCT IS PART OF THE OVERALL LATERAL FORCE RESISTING SYSTEM OF THE STRUCTURE. DESIGN OF THE BUILDING'S LATERAL FORCE RESISTING SYSTEM INCLUDING A COMPLETE LOAD PATH NECESSARY TO TRANSFER LATERAL FORCE FROM THE STRUCTURE TO THE GROUND, IS THE RESPONSIBILITY OF THE DESIGNER.
- SIMPSON STRONG-TIE COMPANY INC. RESERVES THE RIGHT TO CHANGE SPECIFICATIONS, DESIGNS AND MODELS WITHOUT NOTICE OR LIABILITY FOR SUCH CHANGES.
- ALL HARDWARE CALLED OUT IS SIMPSON STRONG-TIE®

NO.	DATE	REVISIONS
1	07/01/03	LINE TYPES REVISED
2	04/09/07	GENERAL REVISIONS
3	09/23/07	GENERAL REVISIONS
4	08/29/08	ESR-1267 REVISIONS

**SIMPSON Strong-Tie**  
SIMPSON STRONG-TIE COMPANY INC.  
HOME OFFICE:  
5956 W. LAS POSITAS BLVD., PLEASANTON, CA 94588  
Tel: (800) 999-5099 Fax: (925) 875-0826

**STRONG-WALL®**  
SINGLE STORY WALLS  
THERE IS NO EQUAL

**SW1**  
DATE: 8-29-2008  
SCALE: N.T.S.  
SHEET: 1 OF 3 SHEETS