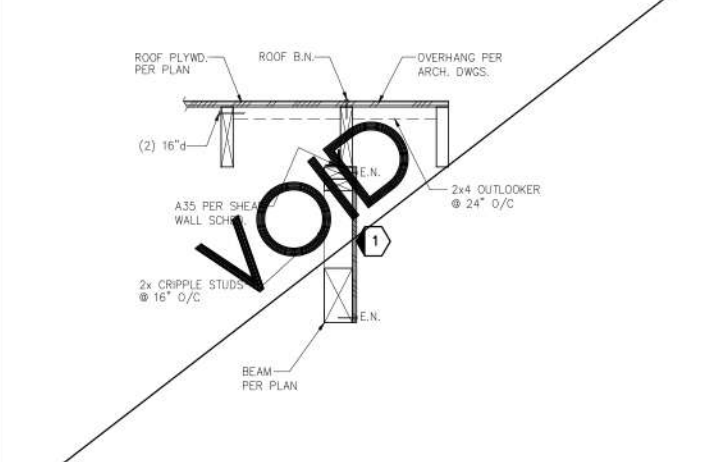


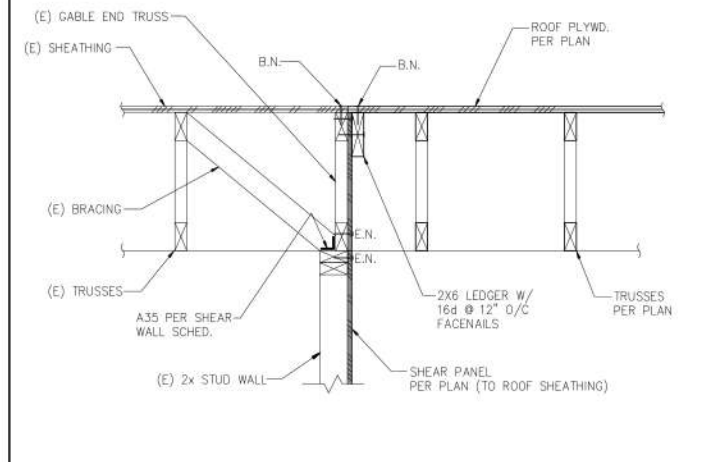
SHEAR TRANSFER DETAIL

13



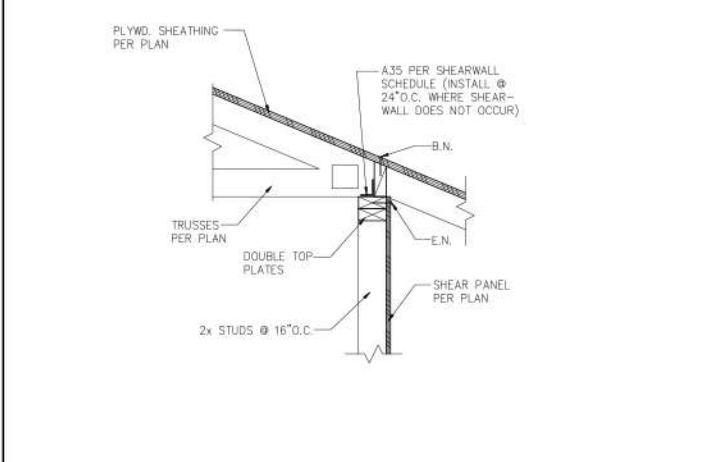
SHEAR TRANSFER DETAIL

9



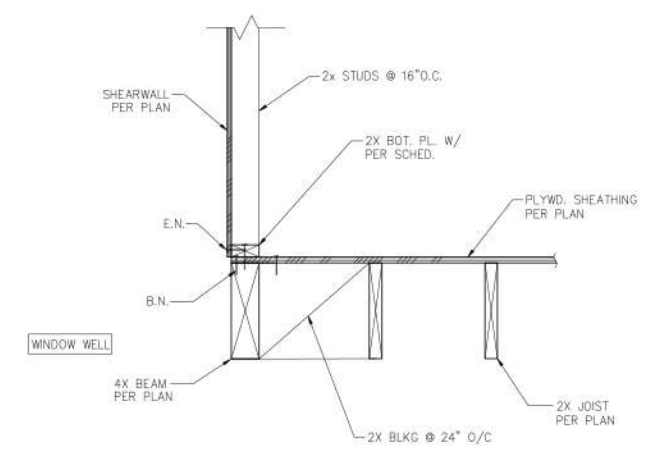
SHEAR TRANSFER DETAIL

5



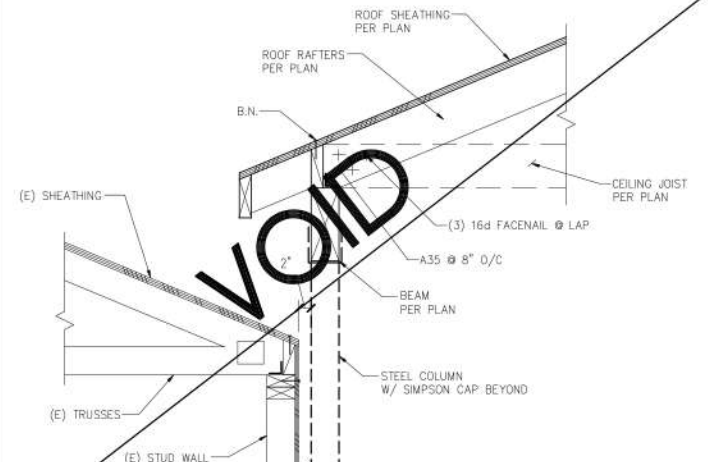
SHEAR TRANSFER DETAIL

1



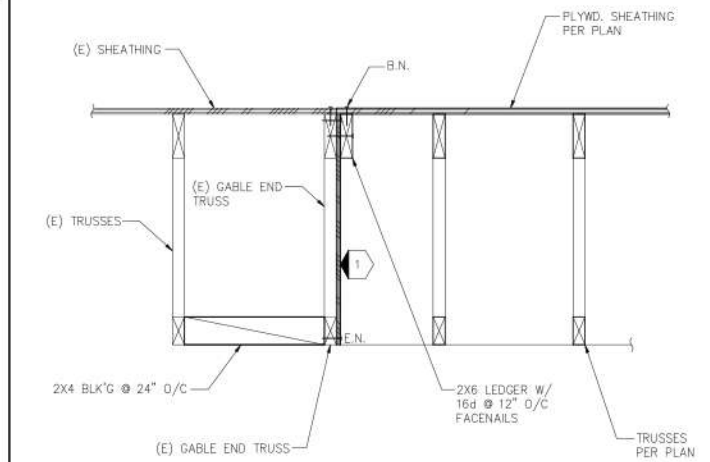
SHEAR TRANSFER DETAIL

14



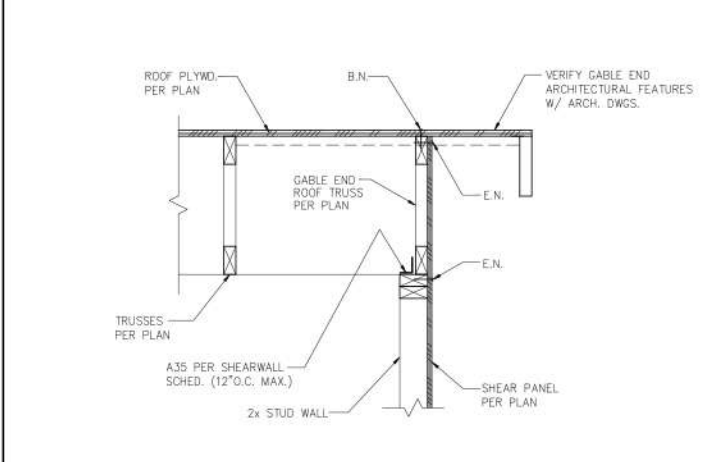
SHEAR TRANSFER DETAIL

10



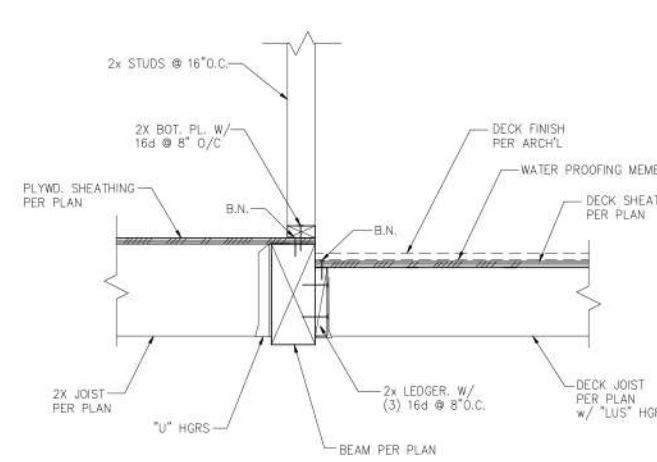
SHEAR TRANSFER DETAIL

6



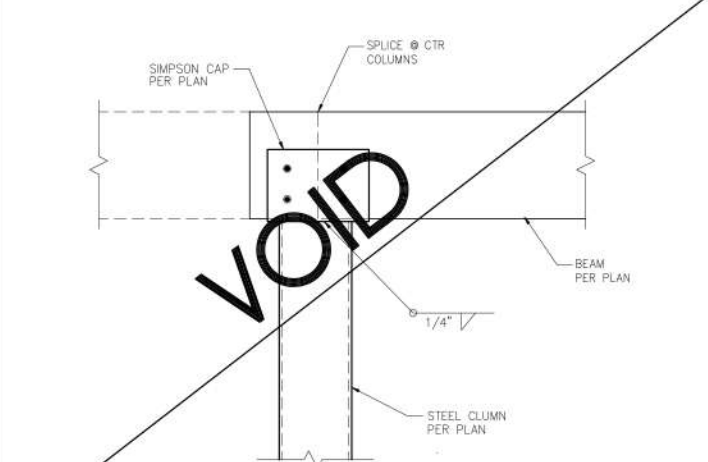
SHEAR TRANSFER DETAIL

2



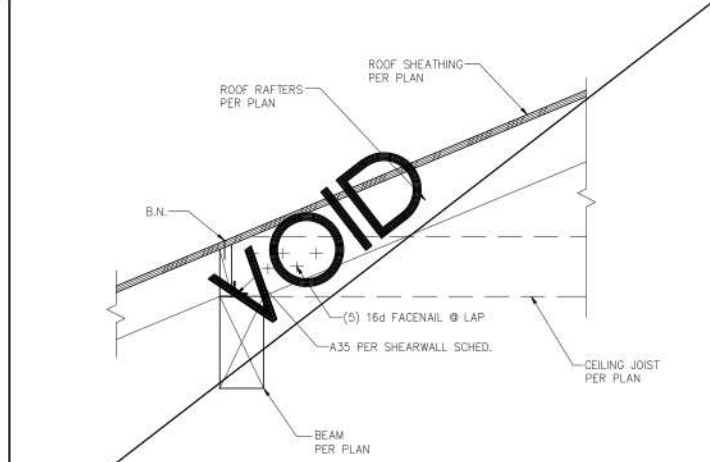
SHEAR TRANSFER DETAIL

15



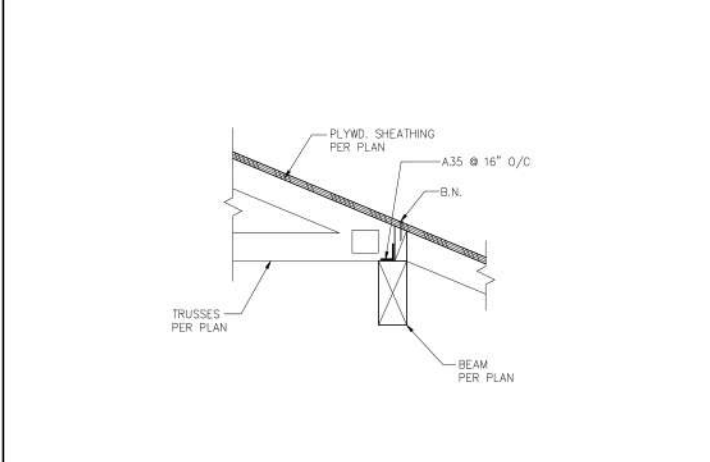
BEAM CONNECTION TO STEEL COLUMN

11



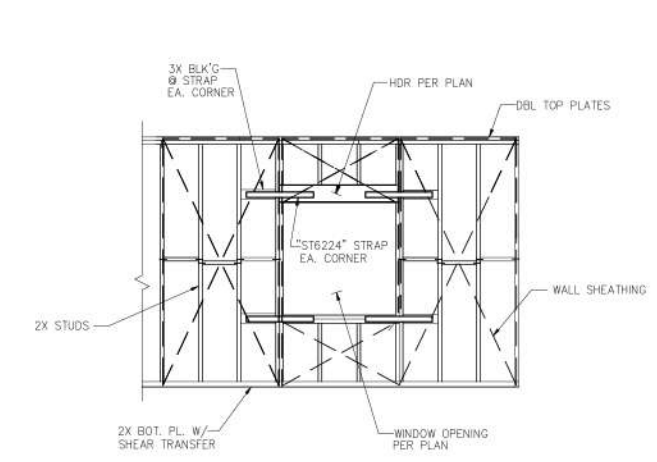
SHEAR TRANSFER DETAIL

7



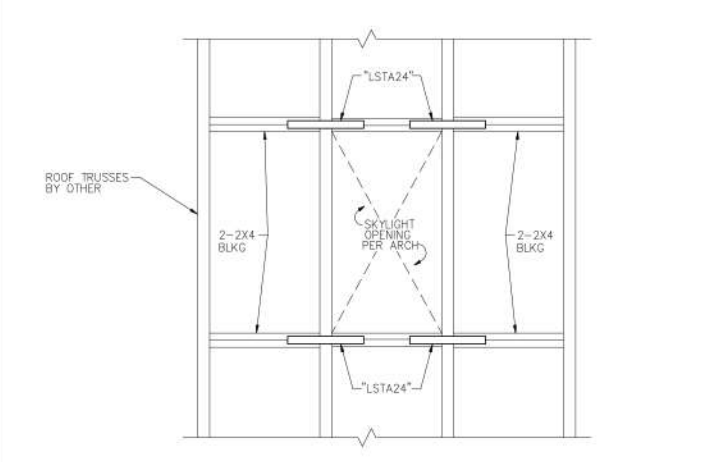
SHEAR TRANSFER DETAIL

3



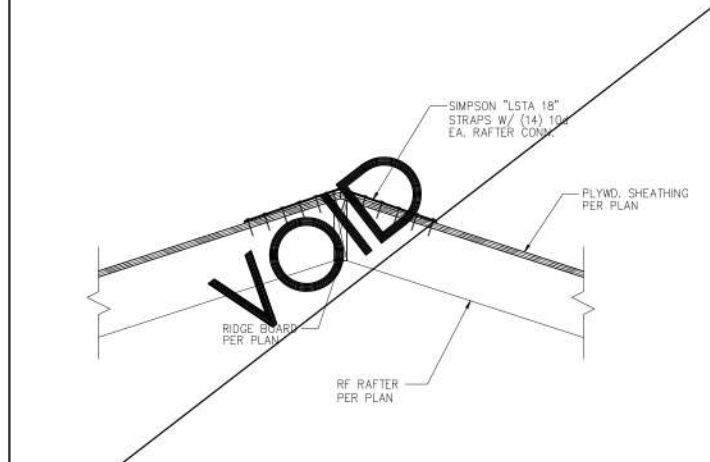
SHEAR TRANSFER AT NEW WINDOW OPENING

16



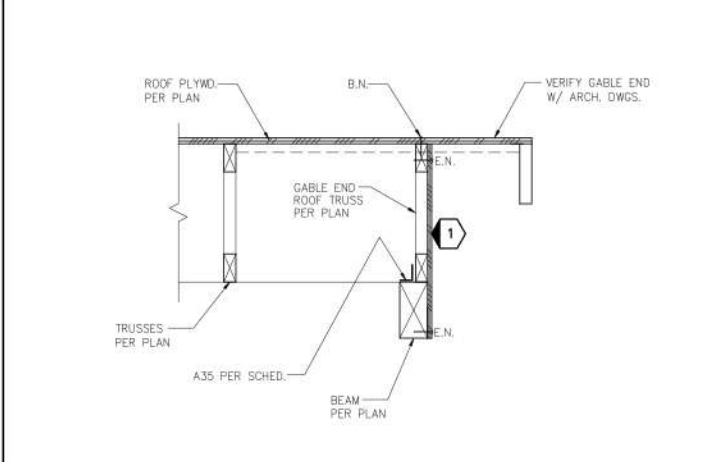
TYPICAL FRAMING AROUND SKYLIGHT

12



SHEAR TRANSFER DETAIL

8



SHEAR TRANSFER DETAIL

4