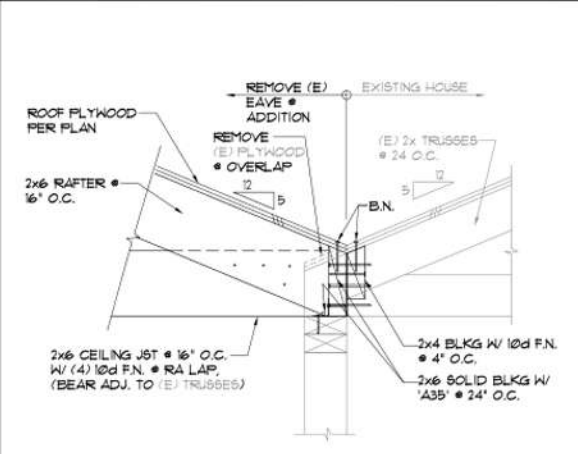


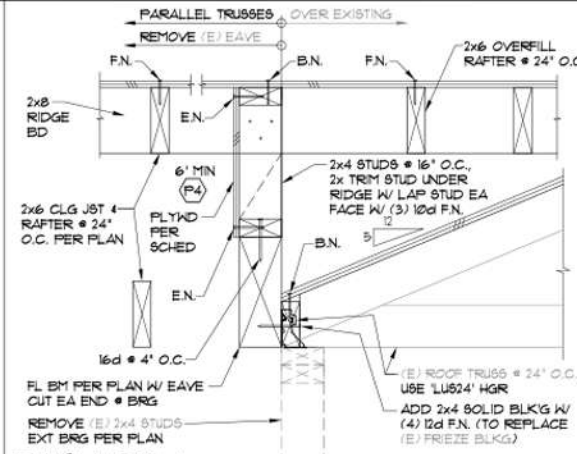
**PLYWOOD SHEARWALL @ CONV'L EAVE**  
SCALE: 1/2"=1'-0"

17



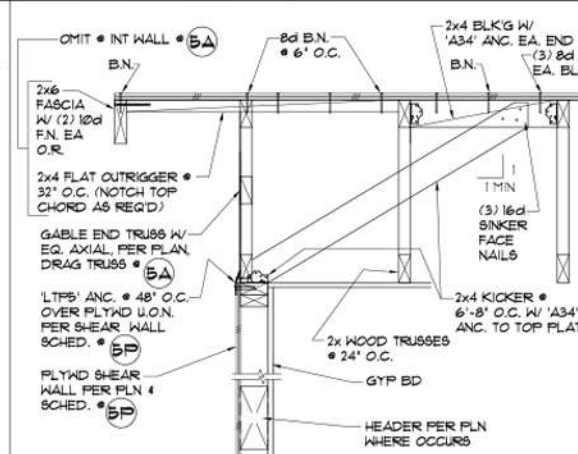
**RA & CLG JST TO (E) EAVE**  
SCALE: 1/2"=1'-0"

13



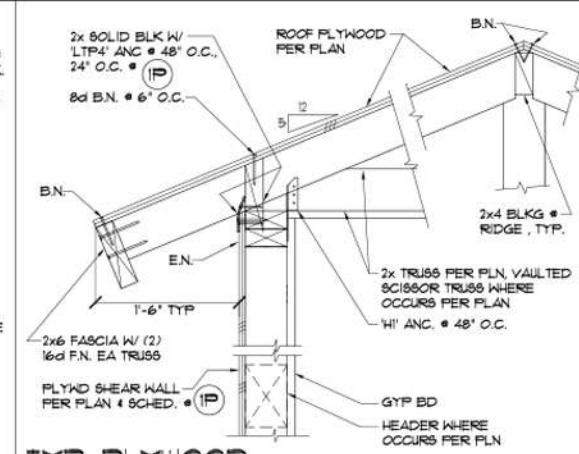
**FLUSH BM & CONV'L FRMG @ (E) EAVE**  
SCALE: 1/2"=1'-0"

9



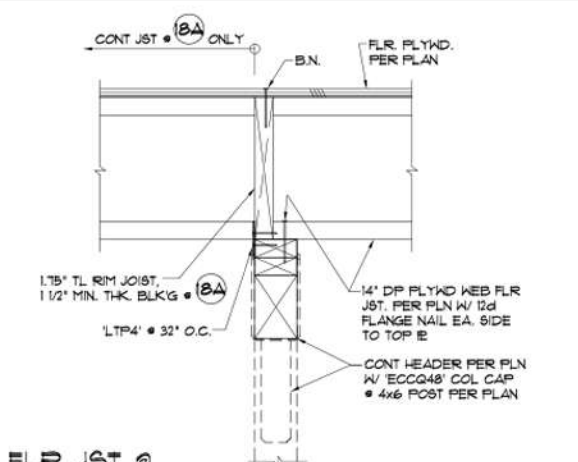
**SHEAR WALL @ GABLE END**  
SCALE: 1/2"=1'-0"

5 5A 5P



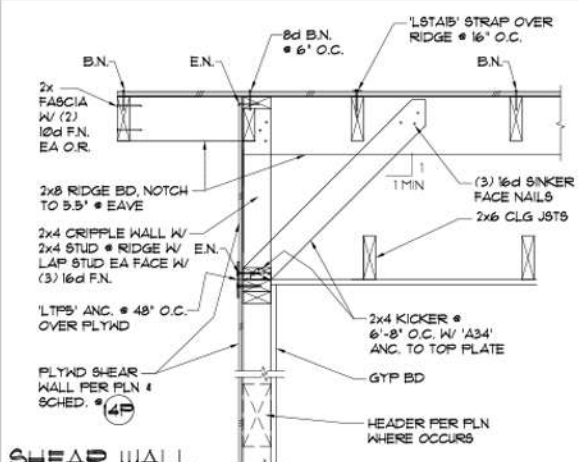
**TYP. PLYWOOD SHEARWALL @ EAVE**  
SCALE: 1/2"=1'-0"

1 1P



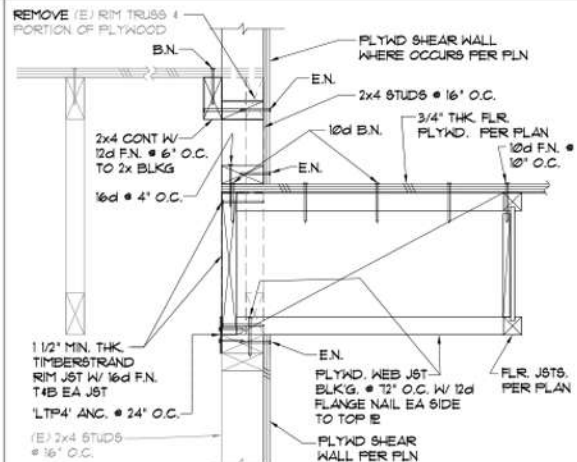
**FLR JST @ CONT CLOSET HEADER**  
SCALE: 1/2"=1'-0"

18 18A



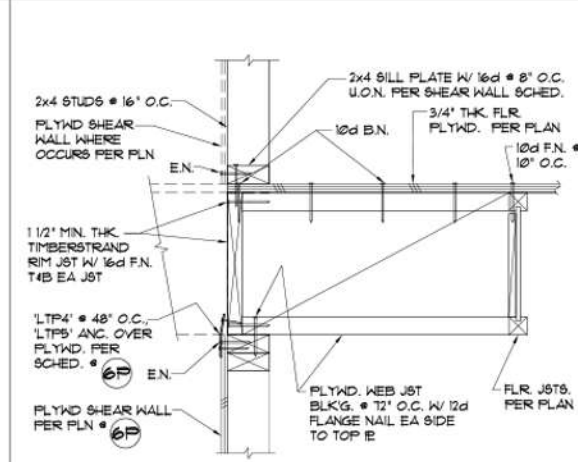
**SHEAR WALL @ CONV'L GABLE END**  
SCALE: 1/2"=1'-0"

14 14P



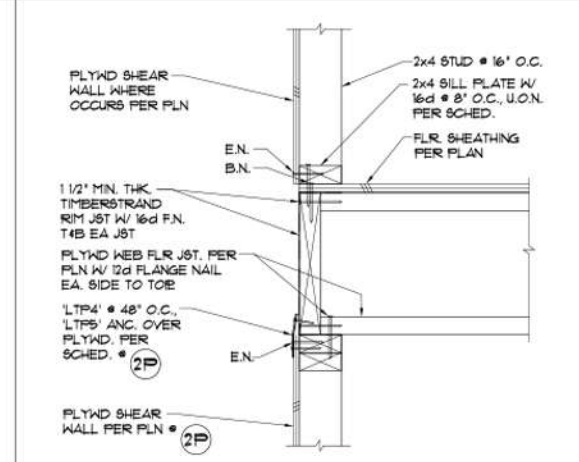
**FLOOR JOISTS // TO EXT. WALL**  
SCALE: 1/2"=1'-0"

10 10P



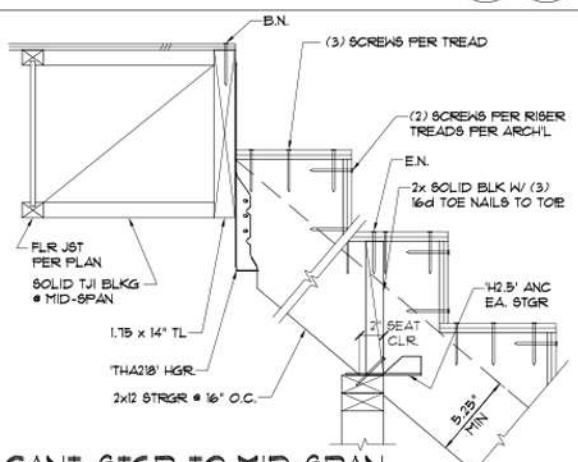
**FLOOR JOISTS // TO EXT. WALL**  
SCALE: 1/2"=1'-0"

6 6P



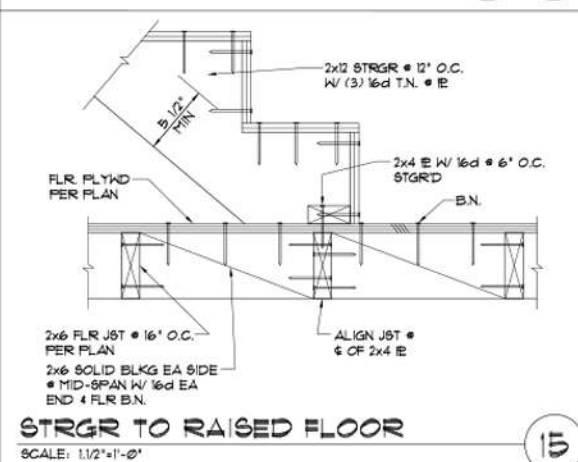
**PLYWD SHEAR WALL @ FLR JST.**  
SCALE: 1/2"=1'-0"

2 2P



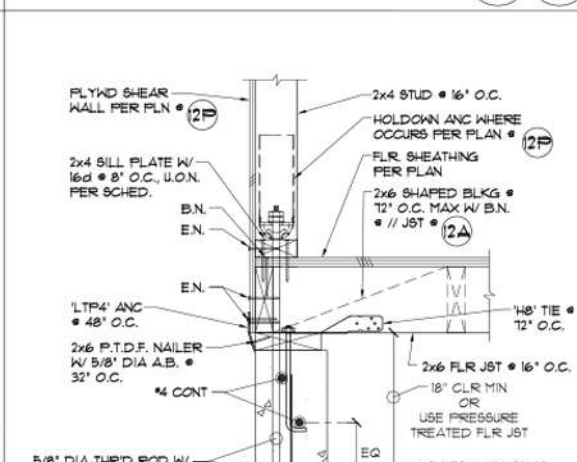
**CANT. STGR TO MID-SPAN BRG WALL & FLOOR LANDING**  
SCALE: 1/2"=1'-0"

19



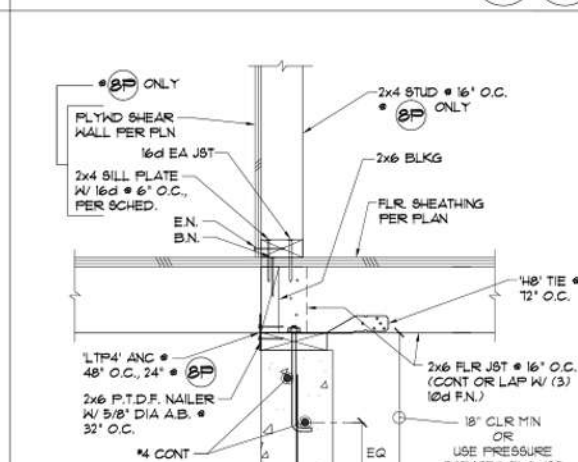
**STRGR TO RAISED FLOOR**  
SCALE: 1/2"=1'-0"

15



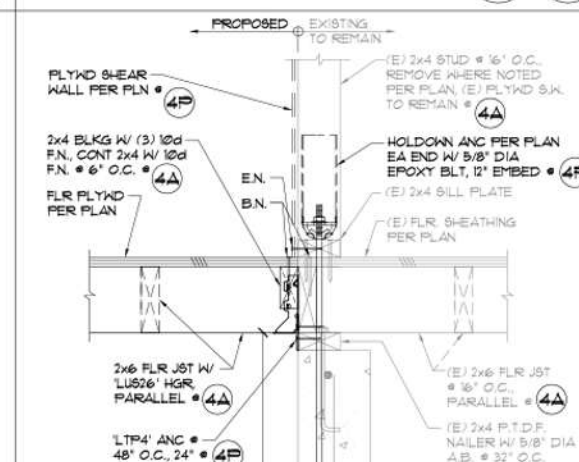
**FTG @ 2x6 FLOOR JOIST**  
SCALE: 1/2"=1'-0"

12 12A 12P



**INT FTG @ 2x6 FLR JOIST**  
SCALE: 1/2"=1'-0"

8 8P

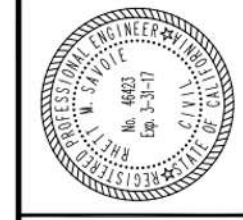


**FLOOR ADDN @ (E) FTG**  
SCALE: 1/2"=1'-0"

4 4A 4P

Revisions:

|  |  |
|--|--|
|  |  |
|  |  |
|  |  |
|  |  |
|  |  |



**DUNN SAVOIE INC.**  
Structural Engineering  
900 S. Cleveland St.  
Oceanside, CA 92054  
Phone (760) 966-6966  
Fax (760) 966-6960

**Project Name:**  
AGUILAR ROOM ADDITION

**Owner:**

**Designer:**  
**MAR-Co.**  
HOUSE PLANS & DESIGN  
www.marcohouseplans.com  
MARGO A. LAUREANO  
760-805-2358  
706-941-2678  
LICENSE: 16064  
www.marcohouseplans.com

**Job No:** 16-235  
**date drawn:** DEC.2016  
**date issued:** JAN.2017  
**project engineer:** AK  
**drawn by:** RJB  
**checked by:** RMB  
**scale:** AS NOTED

**drawing status:**  
 NOT FOR CONSTRUCTION  
 INFORMATION DWGS  
 PRELIMINARY DWGS  
 DESIGN DEVELOPMENT DWGS  
 CHECK SET  
 PROGRESS DRAWINGS  
 PLAN CHECK DRAWINGS  
 BID SET DRAWINGS  
 CONSTRUCTION DOCUMENTS  
 OTHER

**sheet title:**  
FRAMING DETAILS

**sheet no:** S-4