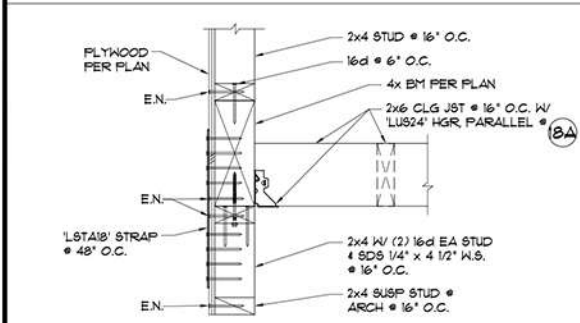
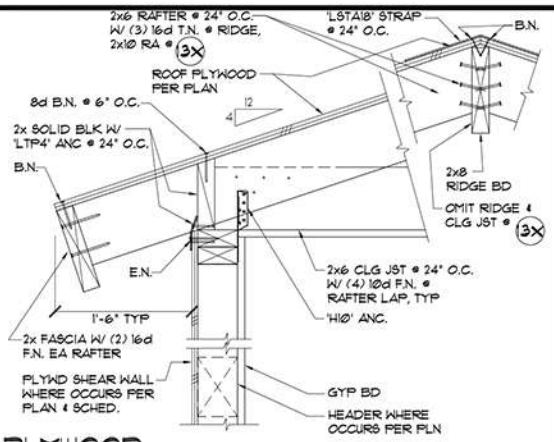


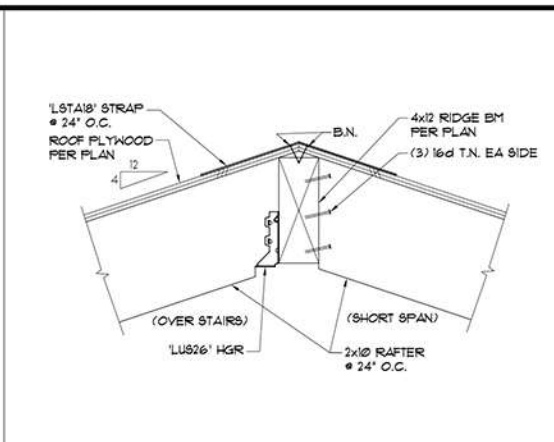
ENTRY TOWER WALL TO STUB TRUSS
SCALE: 1/2"=1'-0"



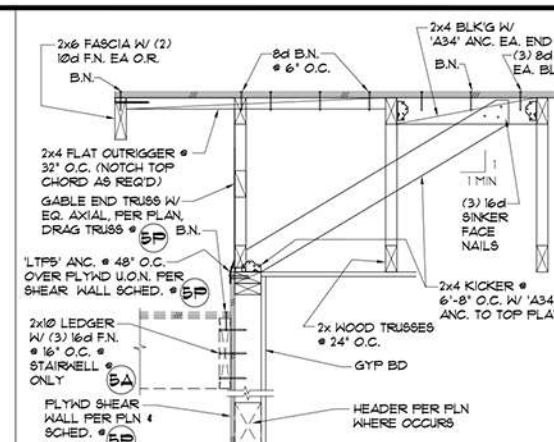
ENTRY TOWER SOFFIT
SCALE: 1/2"=1'-0"



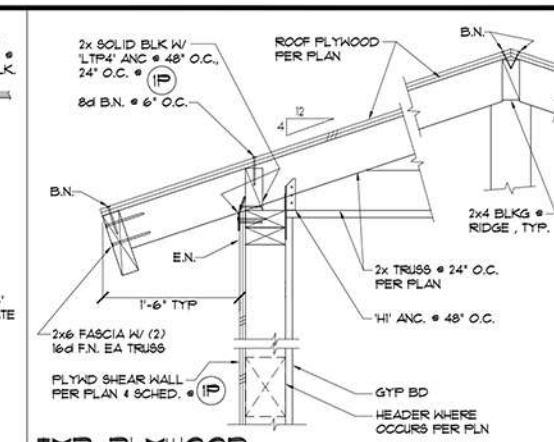
PLYWOOD SHEARWALL @ TOWER EAVE
SCALE: 1/2"=1'-0"



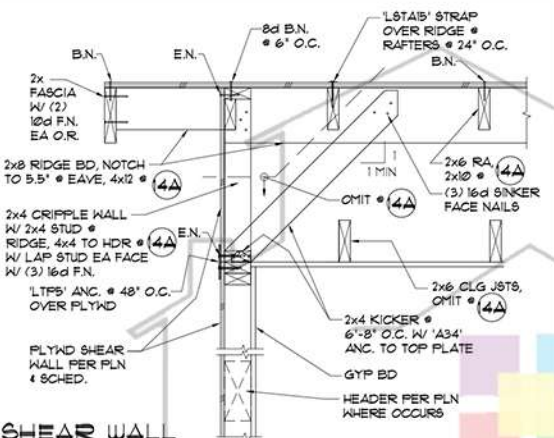
STAIRWELL RAFTERS @ 4x RIDGE
SCALE: 1/2"=1'-0"



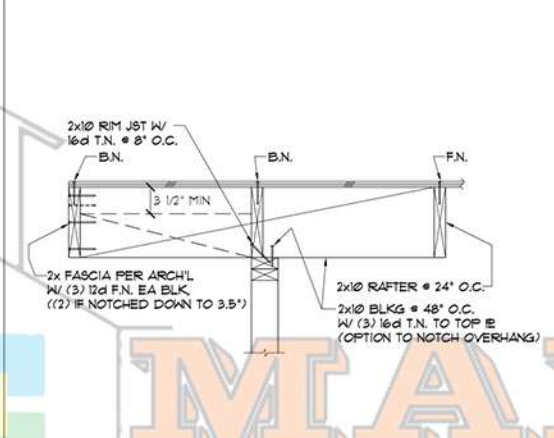
SHEAR WALL @ GABLE END
SCALE: 1/2"=1'-0"



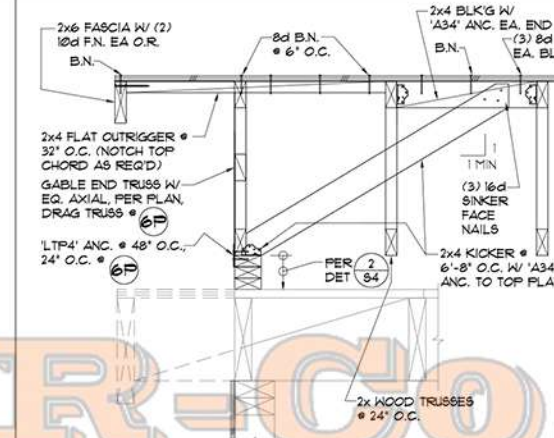
TYP. PLYWOOD SHEARWALL @ EAVE
SCALE: 1/2"=1'-0"



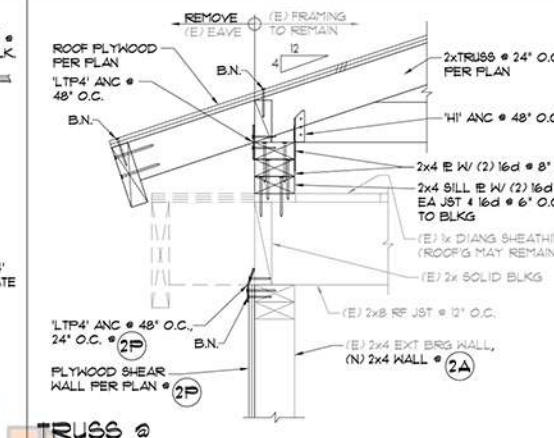
SHEAR WALL @ CONV'L GABLE END
SCALE: 1/2"=1'-0"



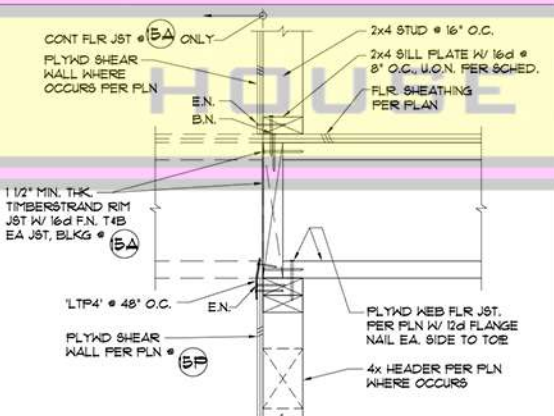
STAIRWELL RAKE EAVE
SCALE: 1/2"=1'-0"



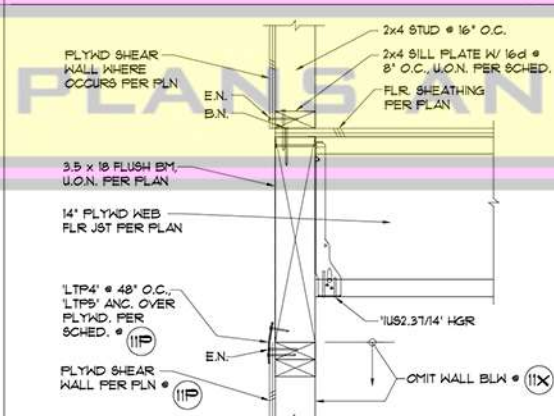
SHEAR WALL @ GABLE END
SCALE: 1/2"=1'-0"



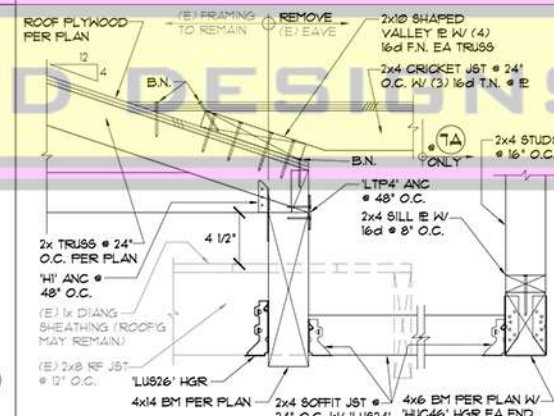
TRUSS @ ROOF JST EAVE
SCALE: 1/2"=1'-0"



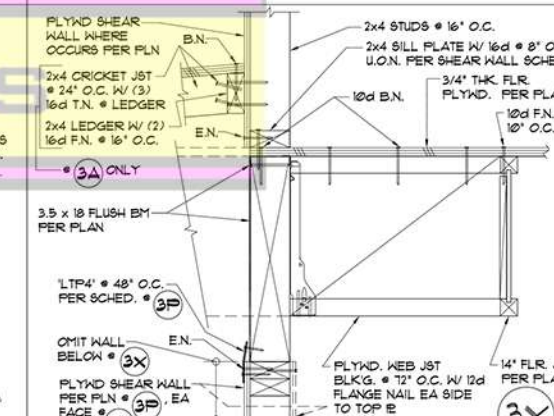
PLYWOOD SHEAR WALL @ FLOOR JOIST
SCALE: 1/2"=1'-0"



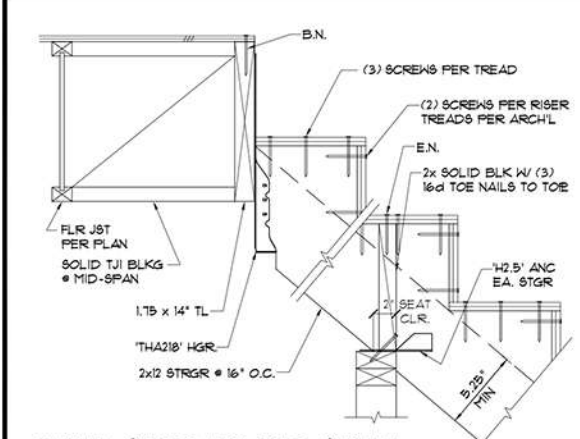
PLYWOOD SHEAR WALL @ FLOOR JOIST
SCALE: 1/2"=1'-0"



TRUSS ABV @ ROOF JST EAVE
SCALE: 1/2"=1'-0"



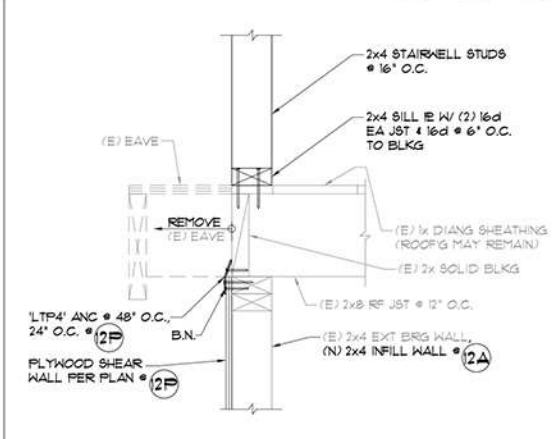
FLOOR JOISTS // TO EXT. WALL
SCALE: 1/2"=1'-0"



CANT. STGR TO MID-SPAN BRG. WALL & FLOOR LANDING
SCALE: 1/2"=1'-0"



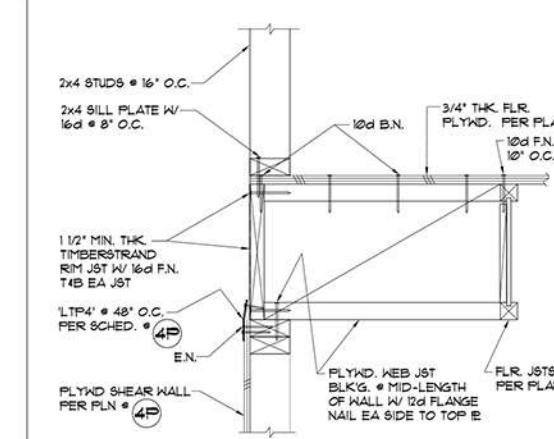
PLYWOOD SHEAR WALL @ FLOOR JOIST
SCALE: 1/2"=1'-0"



TRUSS @ ROOF JST EAVE
SCALE: 1/2"=1'-0"

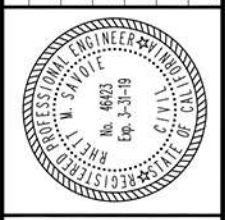


TRUSS ABV @ ROOF JST EAVE
SCALE: 1/2"=1'-0"



FLOOR JOISTS // TO EXT. WALL
SCALE: 1/2"=1'-0"

Revisions:
PLAN CHECK RESPONSE
DATE: 4/20/11



DUNN SAVOIE INC.
Structural Engineering
908 S. Cleveland St.
Oceanside, CA 92054
Phone (760) 966-6365
Fax (760) 966-6360



Project Name:
RESENDIZ'S ROOM
ADDITION & NEW
ROOF STRUCTURE

Owner:

Designer:
MAR-CO.
HOUSE PLANS & DESIGNS
FRAMING DRAFTING DESIGN-BUILD PERMITS
MARGO A. LAUREANO
www.marcohouseplans.com
760-805-2358
708-941-2678
LICENSE: 16964
www.marcohouseplans.com

Job No: 16-211
date drawn: JAN. 2011
date issued: FEB. 2011
project engineer: AK
drawn by: RJB
checked by: RPS
scale: AS NOTED

drawing status:
 (NOT FOR CONSTRUCTION)
 INFORMATION DWGS.
 PRELIMINARY DWGS.
 DESIGN DEVELOPMENT DWGS.
 CHECK SET
 PROGRESS DRAWINGS
 PLAN CHECK DRAWINGS
 BID SET DRAWINGS
 CONSTRUCTION DOCUMENTS
 OTHER

DUNN SAVOIE INC. EXPRESSLY DISCLAIMS ITS COMMON LAW AND OTHER PROPERTY RIGHTS IN THIS DOCUMENT. THIS DOCUMENT SHALL NOT BE REPRODUCED, COPIED, CHANGED OR DISCLOSED IN ANY FORM OR MANNER WHATSOEVER WITHOUT FIRST OBTAINING THE EXPRESSED WRITTEN CONSENT OF DUNN SAVOIE INC.

sheet title:

**FRAMING
DETAILS**

sheet no:
S-4