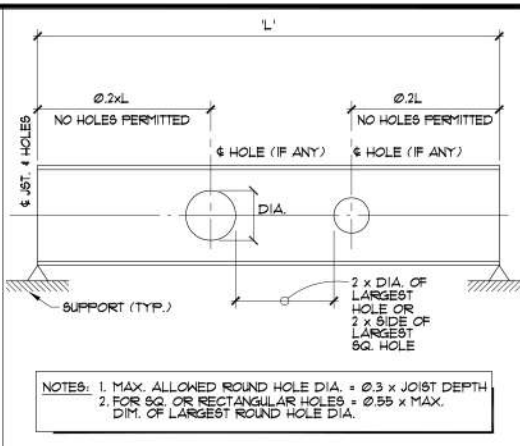


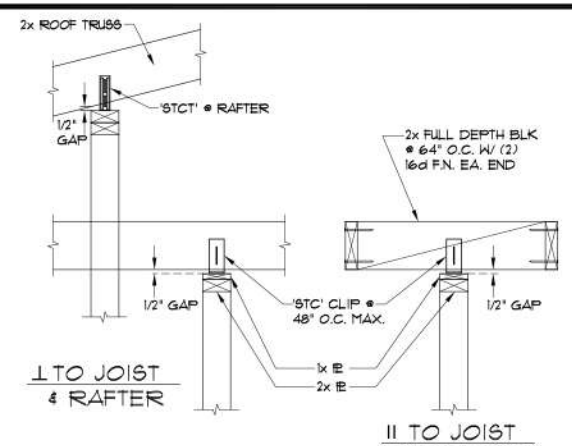
TYP. WEB STIFFENER @ TRUSS SUPPORT OR CONC. LOAD

17



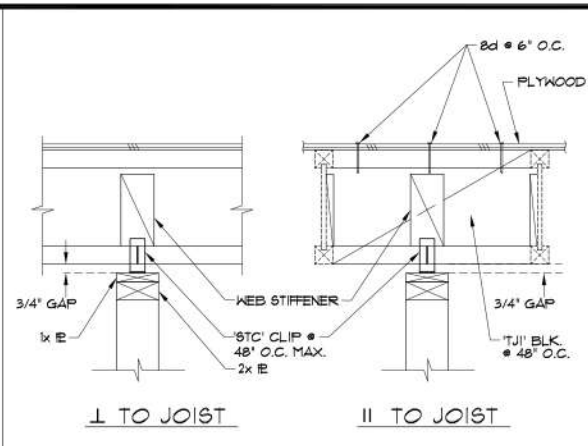
TYP. HOLES @ PRE-FAB JOIST

13



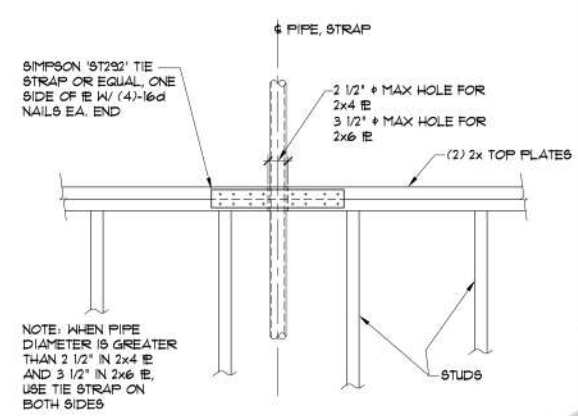
NON-BEARING PARTITION BRACE @ I-JOIST

5



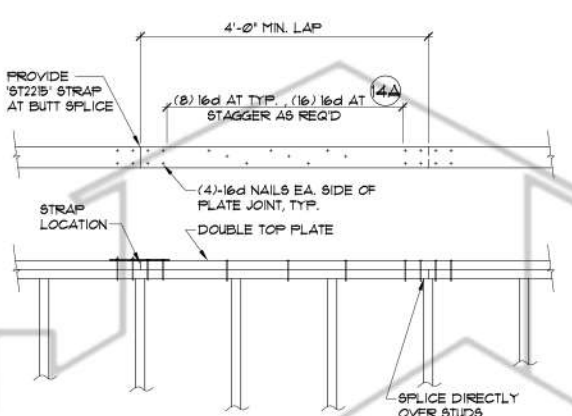
HORIZONTAL DIAPHRAGM NAILING

1



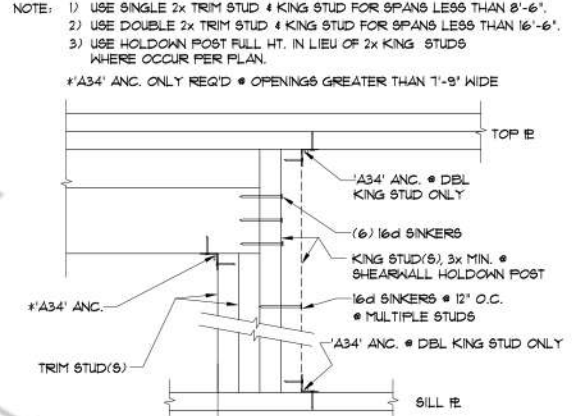
WALL TOP RE BAR SPLICE FOR HOLE DIA. > 1/3 THE RE WIDTH

18



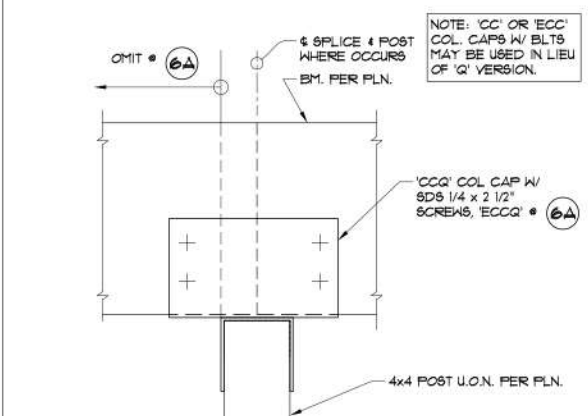
WALL TOP RE LAP

14



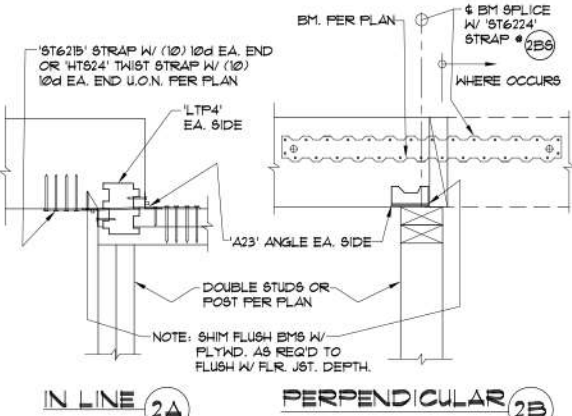
TYP. HEADER/ KINGSTUD ASSEMBLY

10



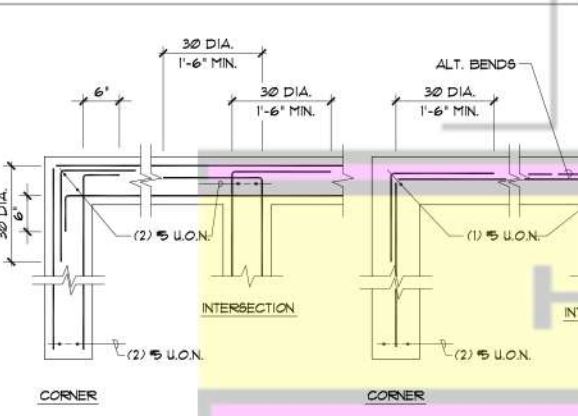
BM. TO POST CONN: 'CCQ' CAP

6



FLUSH BM. TO TOP RE CONNECTION

2



CONCRETE WALL OR FOOTING INTERSECTIONS



CONCRETE WALL OR FOOTING INTERSECTIONS

19

REINFORCEMENT LAP SPLICE AND EMBEDMENT LENGTH - CLASS A

BAR SIZE	BAR SPACING	STRAIGHT BARS		W/ STD. HOOK
		TOP BARS	OTHER BARS	
#5	6" TO 12"	22	11	16
#4	6" TO 12"	25	22	16
#3	6" TO 12"	36	28	21
#2	6" TO 12"	45	35	32

STANDARD HOOK (90° OR 180°)

EMBEDMENT LENGTH W/ STANDARD HOOK

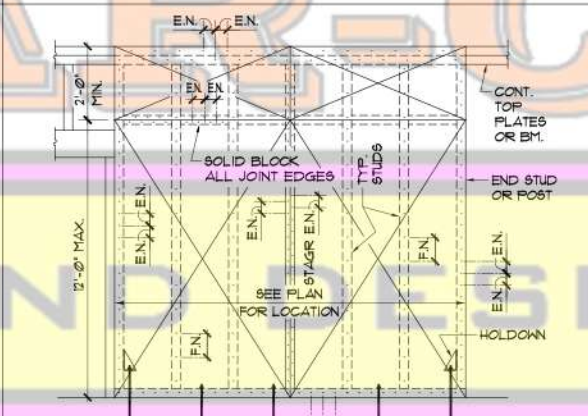
4d, 2 1/2" O.C.

12d

NOTES: 1. MIN. LAP ALL BARS CLASS 'B' UNLESS OTHERWISE NOTED. 2. STAGGER LAP OF HORIZONTAL WALL BARS. 3. TOP BARS ARE HORIZONTAL BARS W/ MORE THAN 12" DEPTH OF CONCRETE CAST BELOW THE REINFORCEMENT. MULTIPLE HORIZONTAL BARS IN A SINGLE VERTICAL PLAN SUCH AS COLUMN TIES OR HORIZONTAL BARS IN WALLS ARE NOT TOP BARS.

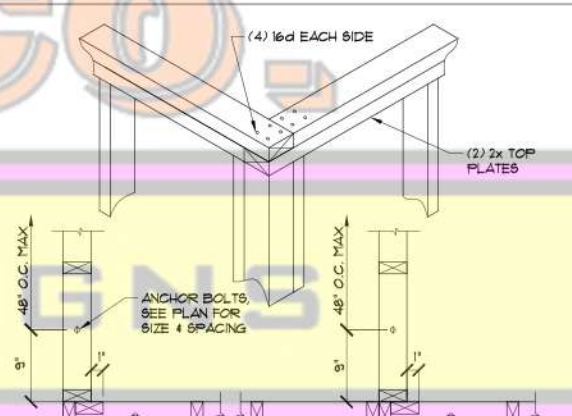
REBAR SPLICE (CLASS 'B') & EMBEDMENT FOR GRADE 60 REINF. & 3,000 PSI CONC.

11



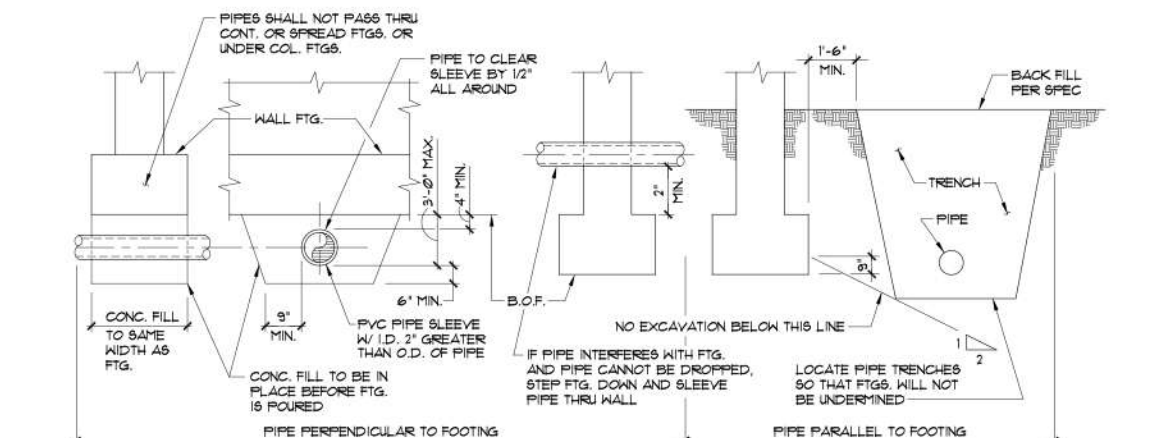
PLYWD. SHEAR WALL APPLIED DIRECTLY TO STUDS

7



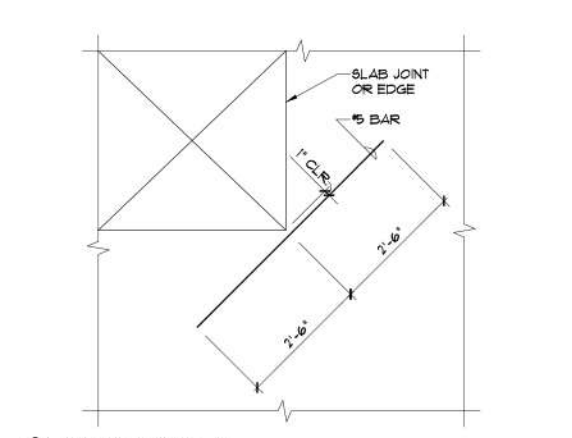
STUD WALL CORNERS & BOLTS

3



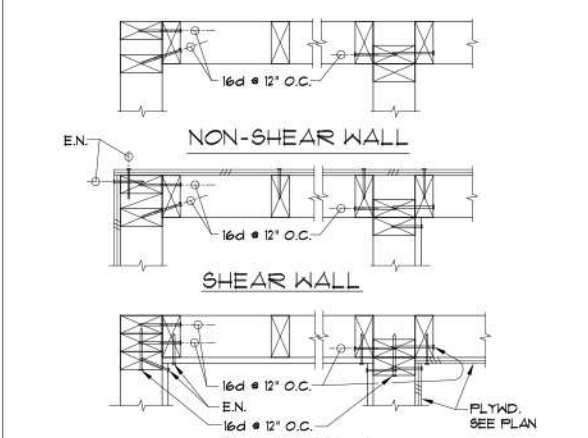
PIPE AT WALL FOOTING

16



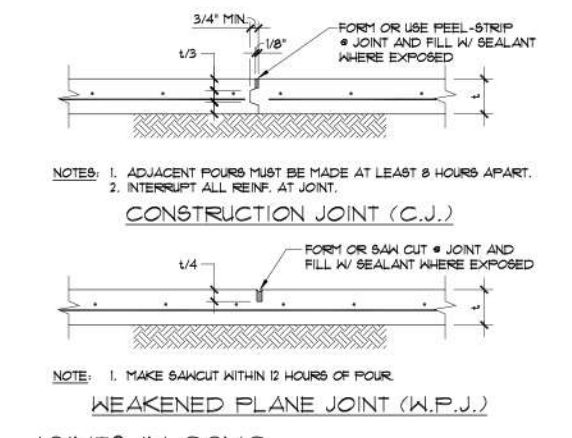
SLAB REINF. @ RE-ENTRANT CORNERS

12



STUD WALL INTERSECTION

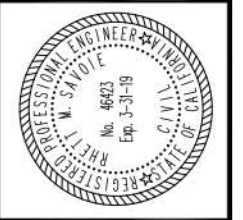
8



JOINTS IN CONC. SLABS ON GRADE (S.J.)

4

Revisions:
PLAN REVISION RESPONSE
APR. 4, 2017



DUNN SAYOIE INC.
Structural Engineering
908 S. Cleveland St.
Oceanside, CA 92054
Phone (760) 966-9366
Fax (760) 966-9360



Project Name:
RESENDIZ'S ROOM ADDITION & NEW ROOF STRUCTURE

Owner:

Designer:
MAR-Co.

HOUSE PLANS & DESIGNS
PLANS-DRAFTING-DESIGNS-3D-BUILDINGS PERMITS
MARCO A. LAUREAND
WWW.MARCOHOUSEPLANS.COM
760-805-2358
706-941-2678
LICENSE: 16964
WWW.MARCOHOUSEPLANS.COM

Job No: 16-211
date drawn: JAN.2017
date issued: FEB.14.2017
project engineer: AK
drawn by: RJB
checked by: RM
scale: 1/2"=1'-0"

drawing status:
 NOT FOR CONSTRUCTION
 INFORMATION DWGS.
 PRELIMINARY DWGS.
 DESIGN DEVELOPMENT DWGS.
 CHECK SET
 PROGRESS DRAWINGS
 PLAN CHECK DRAWINGS
 BID SET DRAWINGS
 CONSTRUCTION DOCUMENTS
 OTHER

DUNN SAYOIE INC. EXPRESSLY DISCLAIMS ITS COMMON LAW AND OTHER PROPERTY RIGHTS IN THIS DOCUMENT. COPIES, CHANGES OR DISCOVERED BY ANY OTHER MEANS SHALL BE THE PROPERTY OF DUNN SAYOIE INC. WITHOUT THE WRITTEN CONSENT OF DUNN SAYOIE INC.

sheet title:
TRELLIS FRAMING & TYPICAL DETAILS

sheet no:
S-2